



Volkswagen VDA4938 Global INVOIC

Message Implementation Guideline

Version:	1.3
Variant:	Gula
Basic:	UN D.07A S3
Publishing:	01.07.2013
Author:	Th. Sieck, J. Hubrig

Table of Contents

Introduction..... 3

Changelog..... 6

Message Type..... 7

Branching Diagram 9

Segment Details 16

Introduction

This message guide contains the specific information for exchanging outbound incoming financing documents of the Volkswagen Group based on the VDA subset 4938 version 1.1. Suppliers should be able to process the complete VDA 4938 which includes all qualifiers.

1. General settings

The term VOLKSWAGEN is used in the guidelines as a substitute for all participating group companies. A number of segments and segment groups which are classified as optional according to the VDA recommendation are always transmitted by Volkswagen by default.

The respective cases are described in detail in the guideline.

1. Job and purpose of the GLOBAL INVOIC – VDA 4938

Within legitimate changes in the German tax legislation, the Volkswagen AG and Audi AG introduce the EDIFACT based Global INVOIC for the electronic exchange of credit and debit notes starting in 2011. The VDA-Subset 4938 is the basis which considers the legitimate requirements for the electronic data exchange of accounting data for supplies within the EU. The VDA 4908 could basically only process credit and debit notes for the production material as well as logistics costs, now the Global INVOIC covers all business transactions.

With the start of the VDA 4938, the dispatch of the summary sheet is not applicable for supplies from the **EU** to the subsidiaries based in **Germany**.

Preconditions for the cancellation of these documents are

- to settle an EDI agreement. At Volkswagen, the standard contract
»*Agreement on the settlement with structured electronic data exchange*

(EDI)« (Vereinbarung über die Abrechnung mit strukturiertem elektronischen Datenaustausch (EDI)) created by the VDA is used
and

- the transmission of all fiscal relevant information. This is ensured by Volkswagen.

2. Participating companies of the VW Group

At the point of introduction of the Global INVOIC for credit and debit notes 2011, the following companies from the Volkswagen Group participate in the procedure:

- Volkswagen AG and Volkswagen Commercial Vehicles
- Volkswagen Logistics GmbH & Co OHG
- VW Group of America, plant Chattanooga

Other subsidiaries are scheduled to introduce this message type as well starting in 2012.

3. Volume and possible business transactions

The VW specification enables the processing of production and non-production material as well as other business transactions, such as logistical additional expenses, container costs, etc. All known cases are listed and described in the in the guideline attachment. Please consider that not all described business transactions occur at every subsidiary in the same way. Currently this is only expected for Volkswagen AG. Details have to be clarified with each subsidiary individually. Yet with the implementation of the VDA4938 in the system environment of the supplier, all segments described in the VW guideline should always be considered. It is planned to publish messages for the described business transactions attached to this guideline. Yet at the point of the first publication of the guideline, only examples of the most important processes will be available. Further messages will be published in the next version of the guideline.

4. Forecast

The goal of VOLKSWAGEN is the complete replacement of VDA 4908 by the VDA 4938. During the transition period both message formats will be supported in parallel. Currently no exact dates are defined for the shutdown of the VDA 4908. Suppliers participating in the credit note procedure should specifically schedule a migration by 2012. Alternatively they can use the Web application FIN on the Group Business Platform.

5. OFTP parameter

See here for the OFTP parameter and virtual file names

http://www.vwgroupsupply.com/b2bpub/zusammenarbeit/edi/oftp_parameter!setLanguage.html?lang=en

The file names are analogous to the logistical messages. Thus, for example the short ID “VW” is sent for all VW companies with a KRIAS supplier number in the suffix.

The legal VW company comprises of the customer ID which a supplier assigns to this VW company. An additional company reference is transmitted in the UNH segment. Companies with deviating supplier numbers, such as VW Chattanooga are transmitted with a separate ID (VW Chattanooga = “US”).

The current version of this guide can be found on the Group Business Platform:

<http://www.vwgroupsupply.com/b2bpub/zusammenarbeit/edi/downloads!setLanguage.html?lang=en>

The underlying VDA 4938 suggestion can be downloaded at the VDA

http://vda.de/en/publikationen/publikationen_downloads/detail.php?id=745&PHPSESSID=jrr5nqcnu3n5s9rk47vq5roj57

1 Changelog

Date	Version	Description	SG	Se (cons.no.)	DE
2013-06-28	1.3	DTM + 134 - Exchange rate date added.	SG7	DTM (024)	
2013-06-28	1.3	Data element 5402 - Exchange rate added.	SG7	CUX (023)	5402
2013-06-28	1.3	Second Group data element C504 for home or payment currency added.	SG7	CUX (023)	
2013-02-18	1.3	LOC+18 als zusätzliche Option hinzugefügt/ as additional Option added.	SG35	LOC (041)	
2013-02-18	1.3	Code "ACW" hinzugefügt/added	SG30	RFF (036)	1153
2012-07-05	1.3	Format n9 added	SG3	RFF (019)	1154
2012-04-01	1.2	The plant number is transmitted additionally with qualifier „PE“, Change according VDA 4938, version 1.1	SG36	RFF (042)	
2012-04-01	1.2	Given VW codes deleted. Valid codes are specified in UN/ECE Recommendation 20, Common code.	SG26	QTY (032)	6411
2012-04-01	1.2	The supplier's article number	SG26	PIA (030)	
2012-04-01	1.2	Code "LC" added. Logistics cost according change VDA4938, version 1.1		GEI (011)	9649
2012-04-01	1.2	Third FTX segment will always be transmitted for self-billed invoices (BGM+389) with origin in a EU member state		FTX (009)	
2012-04-01	1.2	Additional business case no. 33 in attachment 1, Freight costs for returned deliveries		BGM (004)	1000
2012-04-01	1.2	An additional reference for each VW Group Company is transmitted.		UNB (002)	0014
2012-04-01	1.2	Reference to VOLKSWAGEN company.		UNB (002)	0008

2 Message Type

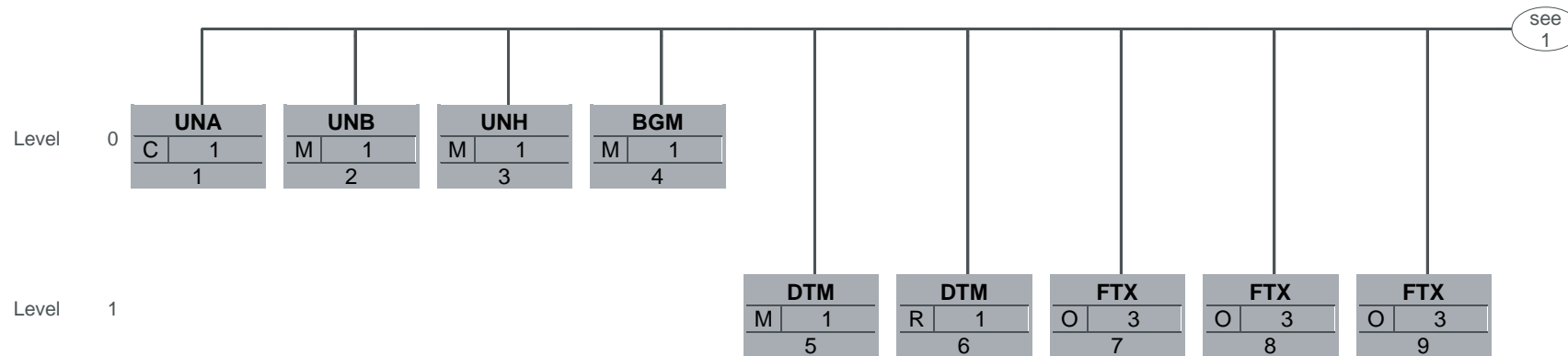
Tag	No	St	MaxOcc	Name
UNA	1	C	1	Service string advice
UNB	2	M	1	Interchange header
UNH	3	M	1	Message header
BGM	4	M	1	Beginning of message
DTM	5	M	1	Message date
DTM	6	R	1	Delivery or Service Completion Date
FTX	7	O	3	Legal info free text
FTX	8	O	3	Legal info free text
FTX	9	O	3	Legal info free text
FTX	10	O	99	Legal info free text
GEI	11	O	1	Processing indicator
SG2		R	1	
NAD	12	M	1	Buyer's Name and Address
SG3		O	5	
RFF	13	M	1	Buyer's VAT number(s)
SG5		O	1	
CTA	14	M	1	Contact information
COM	15	O	4	Communication contact
SG2		R	1	
NAD	16	M	1	Seller's name and address
SG3		O	1	
RFF	17	M	1	Seller's VAT number
SG3		O	1	
RFF	18	M	1	Seller's tax number
SG3		O	5	
RFF	19	M	1	Sellers's reference number(s)
SG2		O	1	
NAD	20	M	1	Ship-from's name and address
SG2		D	1	
NAD	21	M	1	Tax representative's name and address
SG3		R	1	
RFF	22	M	1	VAT registration number
SG7		R	1	
CUX	23	M	1	Currencies
DTM	24	D	1	Exchange rate date
SG8		O	10	
PYT	25	M	1	Payment terms
DTM	26	O	1	Payment due date
PCD	27	O	1	Discount, payment or instalment percentage
MOA	28	O	1	Instalment or payment discount amount
SG26		R	900	
LIN	29	M	1	Line item and article nubur

This message structure described. A documented Segment/Segmentgroup shouldn't have to be assigned always. In contrast to the EDIFACT- Message layout chart the different Segment-version will be displayed explicitly.

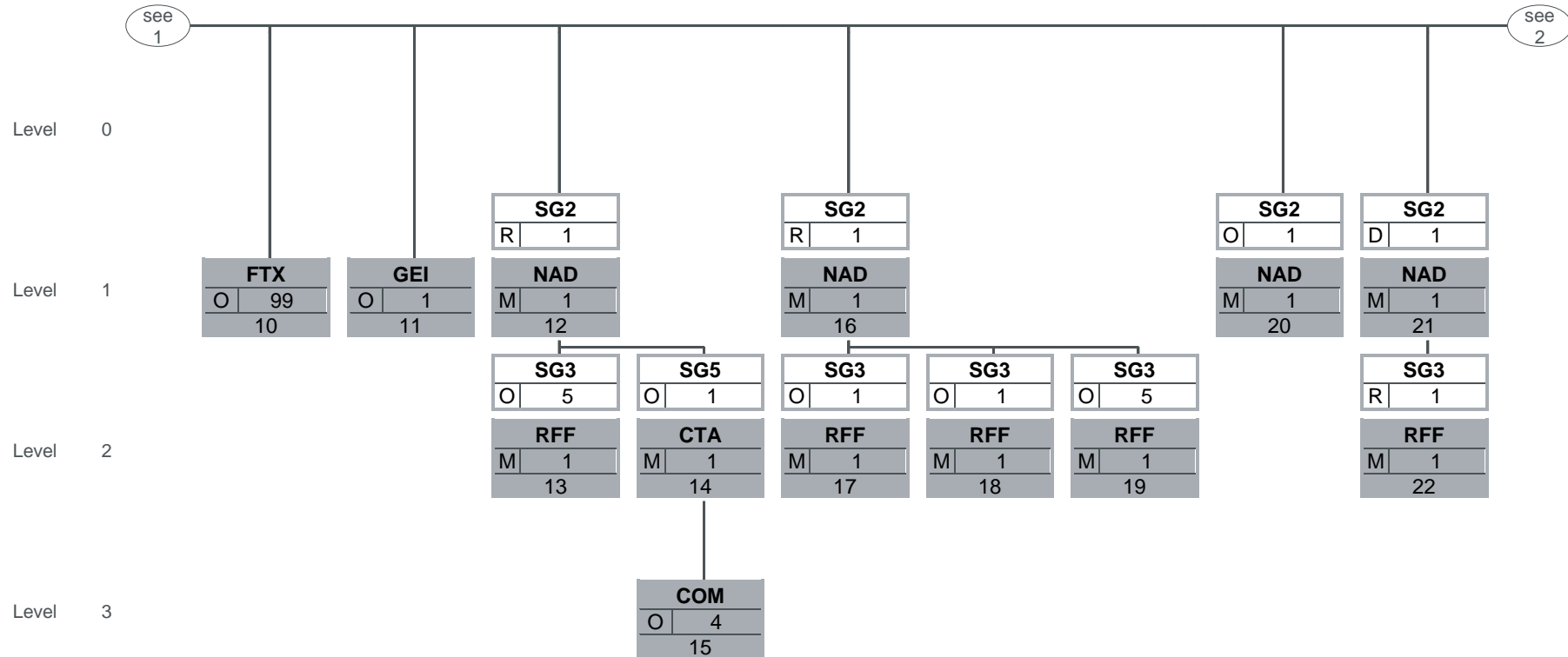
Tag	No	St	MaxOcc	Name
PIA	30	O	1	Additional article identifier(s) 1
IMD	31	R	5	Description of article or service
QTY	32	R	1	Invoiced quantity
SG27		R	1	
MOA	33	M	1	Line item net amount in invoice currency
SG29		R	2	
PRI	34	M	1	Price details
SG29		O	1	
PRI	35	M	1	Price details
SG30		O	4	
RFF	36	M	1	Reference message number
DTM	37	C	5	Date/time/period
SG34		R	1	
TAX	38	M	1	VAT or other tax rate
SG35		O	1	
NAD	39	M	1	Ship-to's name and address
LOC	40	O	1	Place of discharge
LOC	41	O	1	Place of delivery or warehouse after discharge
SG36		O	4	
RFF	42	M	1	Ship-to's reference number(s)
UNS	43	M	1	Section control
CNT	44	O	1	Control total
SG50		M	1	
MOA	45	M	1	Invoice amount
SG50		R	1	
MOA	46	M	1	Total taxable amount
SG50		R	1	
MOA	47	M	1	Total tax amount
SG50		R	1	
MOA	48	M	1	Total line items amount
SG50		D	1	
MOA	49	M	1	Payment discount amount in invoice, home or payment currency
SG50		D	2	
MOA	50	M	1	Non-taxable or exemption amount
SG52		D	2	
TAX	51	M	1	Tax type and rate
MOA	52	D	1	Tax amount in invoice currency
MOA	53	R	1	Taxable amount in invoice currency
UNT	54	M	1	Message trailer
UNZ	55	M	1	Interchange trailer

This message structure described. A documented Segment/Segmentgroup shouldn't have to be assigned always. In contrast to the EDIFACT- Message layout chart the different Segment-version will be displayed explicitly.

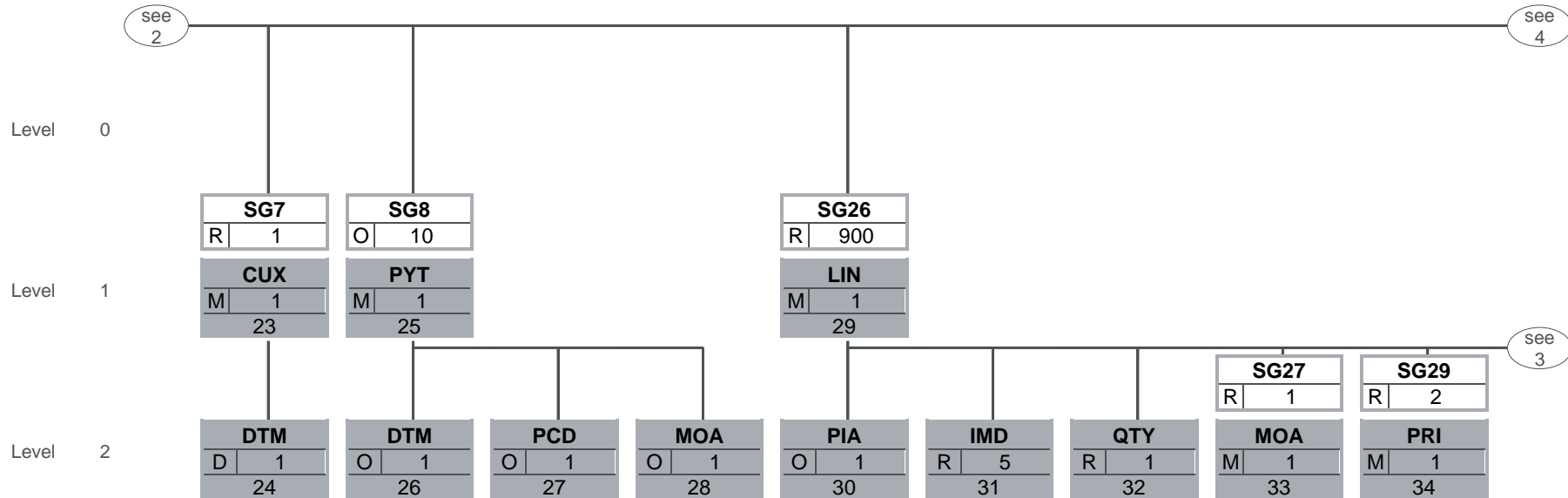
3 Branching Diagram



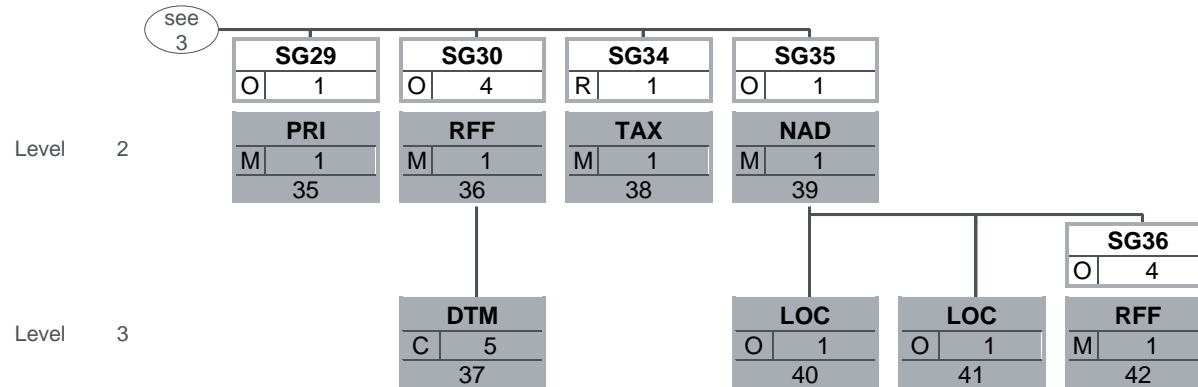
This message structure described. A documented Segment/Segmentgroup shouldn't have to be assigned always.
 In contrast to the EDIFACT- Message layout chart the different Segment-version will be displayed explicitly.



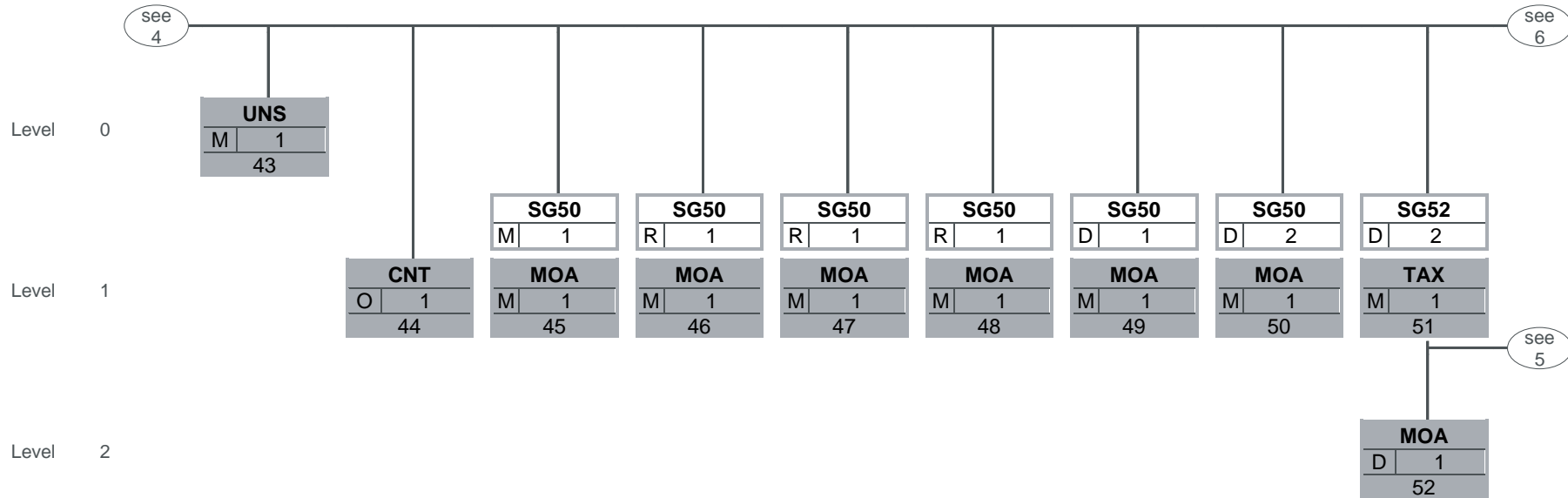
This message structure described. A documented Segment/Segmentgroup shouldn't have to be assigned always. In contrast to the EDIFACT- Message layout chart the different Segment-version will be displayed explicitly.



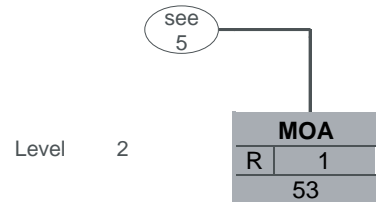
This message structure described. A documented Segment/Segmentgroup shouldn't have to be assigned always. In contrast to the EDIFACT- Message layout chart the different Segment-version will be displayed explicitly.



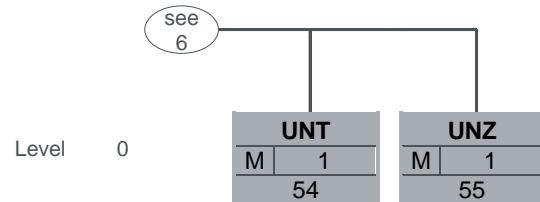
This message structure described. A documented Segment/Segmentgroup shouldn't have to be assigned always.
 In contrast to the EDIFACT- Message layout chart the different Segment-version will be displayed explicitly.



This message structure described. A documented Segment/Segmentgroup shouldn't have to be assigned always.
 In contrast to the EDIFACT- Message layout chart the different Segment-version will be displayed explicitly.



This message structure described. A documented Segment/Segmentgroup shouldn't have to be assigned always.
 In contrast to the EDIFACT- Message layout chart the different Segment-version will be displayed explicitly.



This message structure described. A documented Segment/Segmentgroup shouldn't have to be assigned always.
 In contrast to the EDIFACT- Message layout chart the different Segment-version will be displayed explicitly.

4 Segment Details

No	Tag	St	MaxOcc	Level	Name
1	UNA	C	1	0	Service string advice

		Standard		Implementation		
Tag	Name	St	Format	St	Format	Usage / Remark
UNA1	Component data element separator	M	an1	M	an1	:
UNA2	Data element separator	M	an1	M	an1	+
UNA3	Decimal notation	M	an1	M	an1	.
UNA4	Release indicator	M	an1	M	an1	?
UNA5	Reserved for future use	M	an1	M	an1	
UNA6	Segment terminator	M	an1	M	an1	'

Remark:

Example:

UNA:+.?'

No	Tag	St	MaxOcc	Level	Name
2	UNB	M	1	0	Interchange header

Standard			Implementation		
Tag	Name	St Format	St Format	Usage / Remark	
S001	Syntax identifier	M	M		
0001	Syntax identifier	M a4	M a4	UNOA UN/ECE level A UNOB UN/ECE level B UNOC UN/ECE level C	
0002	Syntax version number	M n1	M n1	2 Version 2 3 Version 3	
S002	Interchange sender	M	M		
0004	Sender identification	M an..35	M an..35	Odette-ID of sending computing centre of VOLKSWAGEN to be entered here Station R11 (ID contains 6 Blanks)	
0007	Partner identification code qualifier	C an..4	N	Not used	
0008	Company reference VOLKSWAGEN	C an..14	C an..14	Reference to participating VOLKSWAGEN companies that generate Credit/debit notes. In normal case there is a one-to-one relation between buyer in SG2, NAD+BY. The presently participating VOLKSWAGEN companies are as follows Volkswagen AG = 0100 Volkswagen Logistics GmbH & Co OHG = 4700 Volkswagen Sachsen GmbH = 0320 Audi AG = 0200 Volkswagen Group of America Chattanooga Operations, LLC., Chattanooga = 0600	
S003	Interchange recipient	M	M		
0010	Recipient identification	M an..35	M an..35	Odette id, mailbox id or another synonym revised with the recipient.	
0007	Partner identification code qualifier	C an..4	O an..4		
0014	Routing address	C an..14	C an..14		
S004	Date/time of preparation	M	M		
0017	Date of preparation	M n6	M n6	Creation date (conversion) of transmission file (YYMMDD)	
0019	Time of preparation	M n4	M n4	Creation time (conversion) of transmission file HHMM	
0020	Interchange control reference	M an..14	M an..14	Transmission reference number is allocated by sender (usually converter).	
S005	Recipient's reference, password	C	O		
0022	Recipient's reference/password	M an..14	N	Not used	

St = Status

		Standard		Implementation		
Tag	Name	St	Format	St	Format	Usage / Remark
0026	Application reference	C	an..14	O	an..14	
0029	Processing priority code	C	a1	N		Not used
0031	Acknowledgement request	C	n1	N		Not used
0032	Communications agreement ID	C	an..35	N		Not used
0035	Test indicator	C	n1	O	n1	1 Interchange is a test

Remark:

Example:

UNB+UNOC:3+O0013000001VW R11::0100+987654321:1:0100+071205:1446+144659+++++1'

No	Tag	St	MaxOcc	Level	Name
3	UNH	M	1	0	Message header

			Standard		Implementation		
Tag	Name	St	Format	St	Format	Usage / Remark	
0062	Message reference number	M	an..14	M	an..14	Message reference number - unique number to identify the message within the interchange. A consecutive number starting with 1.	
S009	Message identifier	M		M			
0065	Message type	M	an..6	M	an..6	INVOIC Invoice message	
0052	Message version number	M	an..3	M	an..3	D Draft version/UN/EDIFACT Directory	
0054	Message release number	M	an..3	M	an..3	07A Release 2007 - A	
0051	Controlling agency	M	an..2	M	an..2	UN UN/CEFACT	
0057	Association assigned code	C	an..6	R	an6	GA0131 Joint Automotive Industry Forum INVOIC V3 (Revision 1) GAVA10 Global INVOIC (Version 3) VDA Profile 1.0	

Remark:

Example:

UNH+1+INVOIC:D:07A:UN:GAVA10'

No	Tag	St	MaxOcc	Level	Name
4	BGM	M	1	0	Beginning of message

Standard			Implementation		
Tag	Name	St Format	St	Format	Usage / Remark
C002	Document/message name	C	R		
1001	Message Type, Coded	C an..3	R	an..3	Examples and descriptions in the VOLKSWAGEN guide are based on the VDA 4938 recommendation. Business cases that will not occur at VOLKSWAGEN are not listed. 295 Price variation invoice 381 Credit note 383 Debit note 389 Self-billed invoice 402 Credit Note issued by the Buyer Selfbilled Invoice 403 Debit Note issued by the Buyer Selfbilled Invoice
1131	Code list identification code	C an..17	N		Not used
3055	Code list responsible agency code	C an..3	O	an..3	272 Joint Automotive Industry agency
1000	Document name	C an..35	O	an..35	Name of the document in text. Short text as description of business case. Possible business scenarios Possible business cases are listed and described in the attachment 1 of this guideline. The "Origin" in the attachment is related to different origin systems in Volkswagen AG. They are relevant for suppliers who have received paper documents. For Group companies with systems as for example SAP the "origin" is irrelevant. The actual business case can occur as well.
C106	Document/message identification	C	R		
1004	Document identifier	C an..35	R	an..16	
1225	Message function code	C an..3	O	an..3	9 Original

Remark:

The Message Response Type Code is used in reply to invoice only in the pre-invoicing process. On line item level as well as on total level negative amounts will be transmitted with a negative presign. Positive amounts will not carry any presign.

Example:

BGM+389:::MATERIAL+00078665+9'

No	Tag	St	MaxOcc	Level	Name
5	DTM	M	1	1	Message date

		Standard		Implementation		
Tag	Name	St	Format	St	Format	Usage / Remark
C507	Date/time/period	M		M		
2005	Date or time or period function code qualifier	M	an..3	M	an..3	The message date is perceived as synonym also for the invoice date. 137 Document issue date time
2380	Date or time or period text	C	an..35	R	n8	
2379	Date or time or period format code	C	an..3	R	an..3	102 CCYYMMDD

Remark:

Example:

DTM+137:20100820:102'

No	Tag	St	MaxOcc	Level	Name
6	DTM	R	1	1	Delivery or Service Completion Date

		Standard		Implementation		
Tag	Name	St	Format	St	Format	Usage / Remark
C507	Date/time/period	M		M		
2005	Date or time or period function code qualifier	M	an..3	M	an..3	1 Service completion date/time, actual
2380	Date or time or period text	C	an..35	R	n..12	Service completion date
2379	Date or time or period format code	C	an..3	R	an..3	102 CCYYMMDD

Remark:

Delivery date or Service completion date. For Invoices with multiple line items only the most recent date is transmitted. In normal case it is the delivery note date.

Documents without delivery note reference the date refers to the document date.

Example:

DTM+1:20100816:102'

No	Tag	St	MaxOcc	Level	Name
7	FTX	O	3	1	Legal info free text

			Standard	Implementation		
Tag	Name	St	Format	St	Format	Usage / Remark
4451	Text subject code qualifier	M	an..3	M	an..3	TXD Tax declaration Reason for tax exemption, valid for all line items.
4453	Free text function code	C	an..3	N		Not used
C107	Text reference	C		N		
4441	Free text description code	M	an..17	N		Not used
C108	Text literal	C		R		
4440	Free text	M	an..512	M	an..256	
4440	Free text	C	an..512	O	an..256	see 4440 # 1
4440	Free text	C	an..512	N		Not used
4440	Free text	C	an..512	N		Not used

Remark:

Example:

FTX+TXD+++STEUERFREIE INNERGEMEINSCHAFTLICHE LIEFERUNG'

No	Tag	St	MaxOcc	Level	Name
8	FTX	O	3	1	Legal info free text

			Standard	Implementation		
Tag	Name	St	Format	St	Format	Usage / Remark
4451	Text subject code qualifier	M	an..3	M	an..3	REG Meldeinformation REG is to be used for information required by legislation (e.g. members of the board etc.).
4453	Free text function code	C	an..3	N		Not used
C107	Text reference	C		N		
4441	Free text description code	M	an..17	N		Not used
C108	Text literal	C		R		
4440	Free text	M	an..512	M	an..256	
4440	Free text	C	an..512	O	an..256	see 4440 # 1
4440	Free text	C	an..512	N		Not used
4440	Free text	C	an..512	N		Not used

Remark:

Example:

FTX+REG+++Vorsitzender des Aufsichtsrats?: Ferdinand Piech:Vorstand?: Martin Winterkorn (Vorsitzender), Francisco J. Garcia Sanz, Jochem Heizmann, Christian Klingler, Michael Macht, Horst Neumann, Hans Dieter Pötsch, Rupert Stadler'

No	Tag	St	MaxOcc	Level	Name
9	FTX	O	3	1	Legal info free text

			Standard		Implementation		
Tag	Name	St	Format	St	Format	Usage / Remark	
4451	Text subject code qualifier	M	an..3	M	an..3	REG Meldeinformation REG is to be used for information required by legislation (e.g. members of the board etc.).	
4453	Free text function code	C	an..3	N		Not used	
C107	Text reference	C		N			
4441	Free text description code	M	an..17	N		Not used	
C108	Text literal	C		R			
4440	Free text	M	an..512	M	an..256		

Remark:

The text is transmitted für self billed invoices (BGM+389)

Example:

FTX+REG+++Mit Ausstellung dieser elektronischen Nachricht verweisen wir auf Artikel 224, Richtlinie Nr. 2006/112/EG'

No	Tag	St	MaxOcc	Level	Name
10	FTX	O	99	1	Legal info free text

		Standard		Implementation		
Tag	Name	St	Format	St	Format	Usage / Remark
4451	Text subject code qualifier	M	an..3	M	an..3	Additional legally required texts e. g. the word "Credit note" in the respective local language.
4453	Free text function code	C	an..3	C	N	
C107	Text reference	C		N		
4441	Free text description code	M	an..17	N		Not used
C108	Text literal	C		C		
4440	Free text	M	an..512	M	an..512	

Remark:

Example:

FTX+REG+++Gutschrift'

No	Tag	St	MaxOcc	Level	Name
11	GEI	O	1	1	Processing indicator

Standard			Implementation		
Tag	Name	St Format	St Format	Usage / Remark	
9649	Processing information code qualifier	M an..3	M an..3	Codes have been defined by GIP in JAI013 code list - to be used with code 272 in DE 3055. LC Logistics cost PM Production material OM Other Material S Service (1) JAIF Code - to be used together with code 272 in data element 3055.	
C012	Processing indicator	C	O		
7365	Processing indicator description code	C an..3	N	Not used	
1131	Code list identification code	C an..17	N	Not used	
3055	Code list responsible agency code	C an..3	R an..3	272 Joint Automotive Industry agency	

Remark:

This segment is used to distinguish between production and non-production item invoices. Depending on each group company the listed constellation may not or only partially occur. The below listed rules apply currently only for transmissions of Volkswagen AG. In Chattanooga only GEI+PM is transmitted.

Following rules applies for the IMD segment, DE 7008, in connection with the GEI segment.

- GEI+PM = IMD+++:::MAT' (Production material)
- GEI+PM = IMD+++:::MATL' (Production materiall)
- GEI+OM = IMD+++:::ART' (Other material)
- GEI+OM = IMD+++:::FGST' (Other material)
- GEI+S = IMD+++:::Service description' (Description of service)

Example:

GEI+PM+:::272'

No	Tag	St	MaxOcc	Level	Name
	SG2	R	1	1	Buyer
12	NAD	M	1	1	Buyer's Name and Address

Standard				Implementation		
Tag	Name	St	Format	St	Format	Usage / Remark
3035	Party function code qualifier	M	an..3	M	an..3	BY Buyer
C082	Party identification details	C		R		All partners listed in the invoicing message are to be transmitted with the complete name and address information. Partner ID is an additional information for enabling the automated processing and matching to internal records.
3039	Party identifier	M	an..35	M	an..35	Kundennummer, die der Verkäufer VOLKSWAGEN zugewiesen hat. Sollte keine spezifische Kundennummer bekannt sein, wird der Name der Gesellschaft in Kurzform übertragen (VWAG, AUDIAG, VWGOA etc.) Customer no., assigned by the seller to VOLKSWAGEN. If no number is known only the name of the legal entity in short form is transmitted (VWAG, AUDIAG, VWGOA etc.)
1131	Code list identification code	C	an..17	N		Not used
3055	Code list responsible agency code	C	an..3	R	an..3	91 Assigned by seller or seller's agent
C058	Name and address	C		N		
3124	Name and address description	M	an..35	N		Not used
C080	Party name	C		R		For usage see comment on C082.
3036	Party name	M	an..35	M	an..35	
3036	Party name	C	an..35	O	an..35	see 3036 # 1
C059	Street	C		C		
3042	Street and number or post office box identifier	M	an..35	M	an..35	
3042	Street and number or post office box identifier	C	an..35	N		Not used
3164	City name	C	an..35	R	an..35	For usage see comment on C082.
C819	Country subdivision details	C		O		
3229	Country subdivision identifier	C	an..9	O	an..9	
3251	Postal identification code	C	an..17	R	an..17	For usage see comment on C082.
3207	Country identifier	C	an..3	R	a2	For usage see comment on C082.

Remark:

Example:

NAD+BY+731023::91++Volkswagen Aktiengesellschaft++Wolfsburg++38436+DE'

No	Tag	St	MaxOcc	Level	Name
	SG2	R	1	1	Buyer
	SG3	O	5	2	Buyer's VAT number(s)
13	RFF	M	1	2	Buyer's VAT number(s)

Standard			Implementation			
Tag	Name	St	Format	St	Format	Usage / Remark
C506	Reference	M		M		
1153	Reference code qualifier	M	an..3	M	an..3	VA VAT registration number
1154	Reference identifier	C	an..70	R	an..17	

Remark:

If necessary due tax legislation only the VAT "VA" no. is transmitted. Other qualifiers will not be used.

Example:

RFF+VA:DE115235681'

No	Tag	St	MaxOcc	Level	Name
	SG2	R	1	1	Buyer
	SG5	O	1	2	Information contact
14	CTA	M	1	2	Contact information

		Standard		Implementation		
Tag	Name	St	Format	St	Format	Usage / Remark
3139	Contact function code	C	an..3	R	an..3	IC Informationskontakt
C056	Contact details	C		O		
3413	Contact identifier	C	an..17	O	an..17	
3412	Contact name	C	an..256	O	an..35	

Remark:

Contact data are transmitted when available in the master data of originating system.

Example:

CTA+IC+1852:Peter Zimmer'

No	Tag	St	MaxOcc	Level	Name
	SG2	R	1	1	Buyer
	SG5	O	1	2	Information contact
15	COM	O	4	3	Communication contact

Standard			Implementation			
Tag	Name	St	Format	St	Format	Usage / Remark
C076	Communication contact	M		M		
3148	Communication address identifier	M	an..512	M	an..100	Buyer's Communication Number
3155	Communication means type code	M	an..3	M	an..3	EM Elektronische Post FX Telefax IM Interne Post TE Telefon

Remark:

Contact data are transmitted if available in the master data of originating system.

Example:

COM+?+49-5361-9-12345:TE'

No	Tag	St	MaxOcc	Level	Name
	SG2	R	1	1	Seller
16	NAD	M	1	1	Seller's name and address

Standard			Implementation			
Tag	Name	St	Format	St	Format	Usage / Remark
3035	Party function code qualifier	M	an..3	M	an..3	SE Seller
C082	Party identification details	C		R		All partners listed in the invoicing message are to be transmitted with the complete name and address information. Partner ID is an additional information for enabling the automated processing and matching to internal records.
3039	Party identifier	M	an..35	R	an..10	Local vendor code
1131	Code list identification code	C	an..17	N		Not used
3055	Code list responsible agency code	C	an..3	R	an..3	92 Assigned by buyer or buyer's agent
C058	Name and address	C		N		
3124	Name and address description	M	an..35	N		Not used
C080	Party name	C		R		
3036	Party name	M	an..35	M	an..35	
3036	Party name	C	an..35	O	an..35	see 3036 # 1
C059	Street	C		O		
3042	Street and number or post office box identifier	M	an..35	M	an..35	
3164	City name	C	an..35	R	an..35	
C819	Country subdivision details	C		O		
3229	Country subdivision identifier	C	an..9	O	an..9	State (USA), Province (Canada) etc. Is not transmitted when location is not relevant like German states.
3251	Postal identification code	C	an..17	R	an..17	
3207	Country identifier	C	an..3	R	a2	

Remark:

Seller: The party who has liability to fulfill the contract. It is often used in the sense of seller and supplier and ship-from.

Example:

NAD+SE+0000123400::92++Beispiel-Zulieferer GmbH & Co KG:Verkaufsbereich Norddeutschland+Im Hinterhof 5+Braunschweig++38120+DE'

No	Tag	St	MaxOcc	Level	Name
	SG2	R	1	1	Seller
	SG3	O	1	2	Seller's VAT number
17	RFF	M	1	2	Seller's VAT number

Standard			Implementation			
Tag	Name	St	Format	St	Format	Usage / Remark
C506	Reference	M		M		
1153	Reference code qualifier	M	an..3	M	an..3	VA VAT registration number
1154	Reference identifier	C	an..70	R	an..70	

Remark:

Example:

RFF+VA:HU12345678'

No	Tag	St	MaxOcc	Level	Name
	SG2	R	1	1	Seller
	SG3	O	1	2	Seller's tax number
18	RFF	M	1	2	Seller's tax number

Standard			Implementation			
Tag	Name	St	Format	St	Format	Usage / Remark
C506	Reference	M		M		
1153	Reference code qualifier	M	an..3	M	an..3	FC Fiscal number
1154	Reference identifier	C	an..70	R	an..70	

Remark:

Example:

RFF+FC:99/012/08009'

No	Tag	St	MaxOcc	Level	Name
	SG2	R	1	1	Seller
	SG3	O	5	2	Seller's reference number(s)
19	RFF	M	1	2	Sellers's reference number(s)

Standard			Implementation			
Tag	Name	St	Format	St	Format	Usage / Remark
C506	Reference	M		M		
1153	Reference code qualifier	M	an..3	M	an..3	ANK Reference number assigned by third party DUNS number
1154	Reference identifier	C	an..70	R	n9	

Remark:

Example:

RFF+ANK:331602599'

No	Tag	St	MaxOcc	Level	Name
	SG2	O	1	1	Ship-from
20	NAD	M	1	1	Ship-from's name and address

Standard			Implementation			
Tag	Name	St	Format	St	Format	Usage / Remark
3035	Party function code qualifier	M	an..3	M	an..3	SF Ship from
C082	Party identification details	C		O		All partners listed in the invoicing message are to be transmitted with the complete name and address information. Partner ID is an additional information for enabling the automated processing and matching to internal records.
3039	Party identifier	M	an..35	R	an..35	
1131	Code list identification code	C	an..17	N		Not used
3055	Code list responsible agency code	C	an..3	R	an..3	92 Assigned by buyer or buyer's agent
C058	Name and address	C		O		For usage see comment on C082.
3124	Name and address description	M	an..35	M	an..35	
C080	Party name	C		R		
3036	Party name	M	an..35	M	an..35	
3036	Party name	C	an..35	O	an..35	see 3036 # 1
3036	Party name	C	an..35	O	an..35	
3036	Party name	C	an..35	O	an..35	
C059	Street	C		O		
3042	Street and number or post office box identifier	M	an..35	M	an..35	
3042	Street and number or post office box identifier	C	an..35	O	an..35	see 3042 # 1
3164	City name	C	an..35	R	an..35	For usage see comment on C082.
C819	Country subdivision details	C		O		For usage see comment on C082.
3229	Country subdivision identifier	C	an..9	O	an..9	State (USA), Province (Canada) etc. Is not transmitted when location is not relevant like German states.
3251	Postal identification code	C	an..17	R	an..17	
3207	Country identifier	C	an..3	R	a2	

Remark:

The ship-from party is transmitted if it differs from the seller.

Example:

NAD+SF+0000123401::92++BERND BEISPIEL+GYRTO KFT+HATVAN++09876+HU'

No	Tag	St	MaxOcc	Level	Name
	SG2	D	1	1	Tax representative party
21	NAD	M	1	1	Tax representative's name and address

Standard			Implementation			
Tag	Name	St	Format	St	Format	Usage / Remark
3035	Party function code qualifier	M	an..3	M	an..3	LC Party declaring the Value Added Tax (VAT)
C082	Party identification details	C		N		
3039	Party identifier	M	an..35	M	an..35	
C058	Name and address	C		N		
3124	Name and address description	M	an..35	N		Not used
C080	Party name	C		R		
3036	Party name	M	an..35	M	an..35	
3036	Party name	C	an..35	O	an..35	see 3036 # 1
3036	Party name	C	an..35	O	an..35	
3036	Party name	C	an..35	O	an..35	
C059	Street	C		R		
3042	Street and number or post office box identifier	M	an..35	M	an..35	
3042	Street and number or post office box identifier	C	an..35	C	an..35	see 3042 # 1
3164	City name	C	an..35	R	an..35	
C819	Country subdivision details	C		O		
3229	Country subdivision identifier	C	an..9	O	an..9	State (USA), Province (Canada) etc. Is not transmitted when location is not relevant like German states.
3251	Postal identification code	C	an..17	R	an..17	
3207	Country identifier	C	an..3	R	a2	

Remark:

Example:

NAD+LC+++Lala GmbH+Musterstraße 3+Ummendorf++39365+AD'

No	Tag	St	MaxOcc	Level	Name
	SG2	D	1	1	Tax representative party
	SG3	R	1	2	VAT registration number
22	RFF	M	1	2	VAT registration number

Standard			Implementation			
Tag	Name	St	Format	St	Format	Usage / Remark
C506	Reference	M		M		
1153	Reference code qualifier	M	an..3	M	an..3	VA VAT registration number
1154	Reference identifier	C	an..70	R	an..17	

Remark:

Example:

RFF+VA:DE12354'

No	Tag	St	MaxOcc	Level	Name
	SG7	R	1	1	Invoice and home or payment currency
23	CUX	M	1	1	Currencies

		Standard		Implementation		
Tag	Name	St	Format	St	Format	Usage / Remark
C504	Invoice currency	C		C		
6347	Currency usage code qualifier	M	an..3	M	an..3	2 Reference currency
6345	Currency identification code	C	an..3	R	an..3	
6343	Currency type code qualifier	C	an..3	R	an..3	4 Invoicing currency
C504	Home or payment currency	C		O		
6347	Currency usage code qualifier	M	an..3	M	an..3	3 Target currency
6345	Currency identification code	C	an..3	C	an..3	3
6343	Currency type code qualifier	C	an..3	R	an..3	3 Home currency 11 Payment currency
5402	Currency exchange rate	C	n..12	O	n..12	

Remark:

Only the invoicing currency is transmitted.

Example:

CUX+2:EUR:4+3:USD:3+1.3011'

No	Tag	St	MaxOcc	Level	Name
	SG7	R	1	1	Invoice and home or payment currency
24	DTM	D	1	2	Exchange rate date

		Standard		Implementation		
Tag	Name	St	Format	St	Format	Usage / Remark
C507	Date/time/period	M		M		
2005	Date or time or period function code qualifier	M	an..3	M	an..3	134 Rate of exchange date/time
2380	Date or time or period text	C	an..35	R	n8	
2379	Date or time or period format code	C	an..3	C	an..3	102 CCYYMMDD

Remark:

The exchange rate date has to be specified only when payment or home currency is used in that CUX segment.

Example:

DTM+134:20130628:102'

No	Tag	St	MaxOcc	Level	Name
	SG8	O	10	1	Payment instructions
25	PYT	M	1	1	Payment terms

Standard				Implementation		
Tag	Name	St	Format	St	Format	Usage / Remark
4279	Payment terms type code qualifier	M	an..3	M	an..3	1 Basic 22 Rabatt
C019	Payment terms	C		N		
4277	Payment terms description identifier	C	an..17	N		Not used

Remark:

Example:

PYT+1'

No	Tag	St	MaxOcc	Level	Name
	SG8	O	10	1	Payment instructions
26	DTM	O	1	2	Payment due date

		Standard		Implementation		
Tag	Name	St	Format	St	Format	Usage / Remark
C507	Date/time/period	M		M		
2005	Date or time or period function code qualifier	M	an..3	M	an..3	140 Payment due date
2380	Date or time or period text	C	an..35	R	n8	
2379	Date or time or period format code	C	an..3	O	an..3	102 CCYYMMDD

Remark:

Payments without delivery notes: the payment due date corresponds to the document date (DTM+137).

Example:

DTM+140:20100925:102'

No	Tag	St	MaxOcc	Level	Name
	SG8	O	10	1	Payment instructions
27	PCD	O	1	2	Discount, payment or instalment percentage

Standard			Implementation			
Tag	Name	St	Format	St	Format	Usage / Remark
C501	Percentage details	M		M		
5245	Percentage type code qualifier	M	an..3	M	an..3	Payment Variation Qualifier 12 Skonto / Payment discount Code 12 must be used in conjunction with code 52 in MOA, DE 5025.
5482	Percentage	C	n..10	R	n..10	

Remark:

This segment specifies - dependent on qualifier of leading PYT segment - the discount percentage or the percentage of an invoice amount that an instalment is based on. The following MOA segment has to match this percentage, if given.

Example:

PCD+12:0.00'

No	Tag	St	MaxOcc	Level	Name
	SG8	O	10	1	Payment instructions
28	MOA	O	1	2	Instalment or payment discount amount

		Standard		Implementation		
Tag	Name	St	Format	St	Format	Usage / Remark
C516	Monetary amount	M		M		
5025	Monetary amount type code qualifier	M	an..3	M	an..3	52 Betrag Skonto
5004	Monetary amount	C	n..35	R	n..15	
6345	Currency identification code	C	an..3	R	an..3	

Remark:

Example:

MOA+52:0.00:EUR'

No	Tag	St	MaxOcc	Level	Name
	SG26	R	900	1	Line item section
29	LIN	M	1	1	Line item and article nubner

Standard			Implementation			
Tag	Name	St	Format	St	Format	Usage / Remark
1082	Line item identifier	C	an..6	R	n..6	
1229	Action code	C	an..3	N		Not used
C212	Item number identification	C		O		
7140	Item identifier	C	an..35	R	an..35	If no article number is available always 'NOT AVAILABLE' is transmitted. In these cases a more detailed description can be found in the IMD segement.
7143	Item type identification code	C	an..3	R	an..3	IN Buyer's item number

Remark:

For the business case returned deliveries the following rules apply.

The discount or adjustment amounts are transmitted as separate line item (repetition of segment group 26) in one invoice. This includes e. g. SCRAP, HANDLING COSTS, FREIGHT.

Example:

LIN+1++03C 906 027 BL:IN'

No	Tag	St	MaxOcc	Level	Name
	SG26	R	900	1	Line item section
30	PIA	O	1	2	Additional article identifier(s) 1

		Standard		Implementation		
Tag	Name	St	Format	St	Format	Usage / Remark
4347	Product identifier code qualifier	M	an..3	M	an..3	1 Additional identification
C212	Sellers Article Number	M		O		
7140	Item identifier	C	an..35	R	an..35	The supplier's article number is transmitted if available in the master data.
7143	Item type identification code	C	an..3	R	an..3	SA Supplier's article number

Remark:

Example:

PIA+1+ZU 23456:SA'

No	Tag	St	MaxOcc	Level	Name
	SG26	R	900	1	Line item section
31	IMD	R	5	2	Description of article or service

		Standard		Implementation		
Tag	Name	St	Format	St	Format	Usage / Remark
7077	Description format code	C	an..3	N		Not used
C272	Item characteristic	C		N		
7081	Item characteristic code	C	an..3	N		Not used
C273	Item description	C		R		
7009	Item description code	C	an..17	N		Not used
1131	Code list identification code	C	an..17	N		Not used
3055	Code list responsible agency code	C	an..3	N		Not used
7008	Item description	C	an..256	R	an..256	
7008	Item description	C	an..256	O	an..256	see 7008 # 1

Remark:

Depending of the originating system and of the business case the following informations are transmitted in the IMD segment.

The following case are possible

1. LIN, DE 7140 is polluted wit Part no./Article no.; vehicle number.

If a detailed product description is available it is transmitted. In all other cases the following contents are transmitted.

- MAT = Produktion material
- MATL = Logistics costs produktion material
- ART = Katalogbestellsystem (KSRM); Hardware and software licences
- FGST = Vehicles, Vehicle identfiation number

In exceptional cases like returned deliveries an additional description may occur in the IMD segment.

2. Extra costs with returned deliveries related to delivery note and part/article number
 LIN, DE 7140 is polluted wit Part no./Article no.. The IMD segment contain the following informations.

- SCRAP =
- HANDLING = Handling costs
- WEFRACHT = Freight costs of goods receipt

2. LIN, DE 7140 polluted with 'NOT AVAILABLE'.
 In this case the reason for credit/debit note of the respective business case is transmitted.

VWGoA, Chattanooga: The IMD segment is always filled with a part no. Non production material is currently not processed with this EDI message.

Example:

IMD+++:::MAT'

No	Tag	St	MaxOcc	Level	Name
	SG26	R	900	1	Line item section
32	QTY	R	1	2	Invoiced quantity

		Standard		Implementation		
Tag	Name	St	Format	St	Format	Usage / Remark
C186	Quantity details	M		M		
6063	Quantity type code qualifier	M	an..3	M	an..3	47 Invoiced quantity
6060	Quantity	M	an..35	M	n..10	
6411	Measurement unit code	C	an..8	R	an..3	Code "C62" = Piece/Stück

Remark:

Negative quantities are transmitted with a negative presign. Positive quantities are transmitted without presign.

The following cases the quantity is always '1'

1. The part /article number in the LIN segment is polluted with 'NOT AVAILABLE'.
2. Extra costs of returned deliveries

Example:

QTY+47:36.000:C62'

No	Tag	St	MaxOcc	Level	Name
	SG26	R	900	1	Line item section
	SG27	R	1	2	Line item net amount
33	MOA	M	1	2	Line item net amount in invoice currency

Standard			Implementation		
Tag	Name	St Format	St	Format	Usage / Remark
C516	Monetary amount	M	M		
5025	Monetary amount type code qualifier	M an..3	M	an..3	203 Line item amount
5004	Monetary amount	C n..35	R	n..15	
6345	Currency identification code	C an..3	R	an..3	

Remark:

Gross amounts (SG27), gross price (SG29) and discounts and adjustments (SG39) in the summary level are not transmitted. The discounts and adjustments are transmitted as line item within the invoice.

Each line item can carry either no presign or a negative presign.

Per line item the net line item amount, the new price (PRI, Qualifier CON), the old price (PRI, Qualifier AAL) and price difference old - new price (PRI, Qualifier ABM) transmitted.

Negative amounts are transmitted with a negative presign. Positive amounts are transmitted without presign.

Example:

MOA+203:2550.24:EUR'

No	Tag	St	MaxOcc	Level	Name
	SG26	R	900	1	Line item section
	SG29	R	2	2	Calculation net price
34	PRI	M	1	2	Price details

Standard			Implementation			
Tag	Name	St	Format	St	Format	Usage / Remark
C509	Price information	C		R		
5125	Price code qualifier	M	an..3	M	an..3	The price stated is the net price including allowances/charges. Allowances/charges may be stated for information only. AAA Calculation net
5118	Price amount	C	n..15	R	n..15	
5375	Price type code	C	an..3	N		Not used
5387	Price specification code	C	an..3	O	an..3	AAL Old price CON Contract price The contract price is assumed to be the default net price. In retrospective price adjustments the old price (AAL), the new price (CON) and the price difference (ABM) can be used.
5284	Unit price basis quantity	C	n..9	O	n..9	
6411	Measurement unit code	C	an..8	O	an..3	

Remark:

Price including allowances and charges (ALC), this represents the net price applicable to the line, it does also include any allowances/charges (ALCs) that may be applicable to the line and which are deductible from the gross price.

Example:

PRI+AAA:7084.00::CON:100:C62'

No	Tag	St	MaxOcc	Level	Name
	SG26	R	900	1	Line item section
	SG29	O	1	2	Price correction - net difference
35	PRI	M	1	2	Price details

Standard			Implementation			
Tag	Name	St	Format	St	Format	Usage / Remark
C509	Price information	C		R		
5125	Price code qualifier	M	an..3	M	an..3	The price stated is the net price including allowances/charges. Allowances/charges may be stated for information only. AAA Calculation net
5118	Price amount	C	n..15	R	n..15	
5375	Price type code	C	an..3	N		Not used
5387	Price specification code	C	an..3	O	an..3	ABM Base price difference The contract price is assumed to be the default net price. In retrospective price adjustments the old price (AAL), the new price (CON) and the price difference (ABM) can be used.
5284	Unit price basis quantity	C	n..9	O	n..9	
6411	Measurement unit code	C	an..8	O	an..3	

Remark:

Price including allowances and charges (ALC), this represents the net price applicable to the line.

Example:

PRI+AAA:150.00::ABM'

No	Tag	St	MaxOcc	Level	Name
	SG26	R	900	1	Line item section
	SG30	O	4	2	References to messages
36	RFF	M	1	2	Reference message number

Standard			Implementation			
Tag	Name	St	Format	St	Format	Usage / Remark
C506	Reference	M		M		
1153	Reference code qualifier	M	an..3	R	an..3	AAU Despatch note document identifier AIV Event reference number ON Order document identifier, buyer assigned ALO Nummer der Wareneingangsmeldung ACW Reference number to previous message
1154	Reference identifier	C	an..70	R	an..70	

Remark:

On is used for the purchase order number or single order number.
 AAU is the number of delivery tag which is issued when supplier ships parts to OEM.
 AIV is the reference number that refers to the description in the IMD segment.
 ALO as "Goods receipt" is currently transmitted by VW Chattanooga, USA, only.

Example:

RFF+ON:0000000001'

No	Tag	St	MaxOcc	Level	Name
	SG26	R	900	1	Line item section
	SG30	O	4	2	References to messages
37	DTM	C	5	3	Date/time/period

		Standard		Implementation		
Tag	Name	St	Format	St	Format	Usage / Remark
C507	Date/time/period	M		M		
2005	Date or time or period function code qualifier	M	an..3	M	an..3	
2380	Date or time or period text	C	an..35	C	an..35	Delivery note date
2379	Date or time or period format code	C	an..3	C	an..3	

Remark:

Example:

DTM+171:::102'

No	Tag	St	MaxOcc	Level	Name
	SG26	R	900	1	Line item section
	SG34	R	1	2	VAT or other tax rate and amount for line item
38	TAX	M	1	2	VAT or other tax rate

Standard			Implementation		
Tag	Name	St Format	St	Format	Usage / Remark
5283	Duty or tax or fee function code qualifier	M an..3	M	an..3	7 Tax
C241	Duty/tax/fee type	C	R		
5153	Duty or tax or fee type name code	C an..3	O	an..3	VAT Value added tax
C533	Duty/tax/fee account detail	C	N		
5289	Duty or tax or fee account code	M an..6	N		Not used
5286	Duty or tax or fee assessment basis quantity	C an..15	N		Not used
C243	Duty/tax/fee detail	C	R		
5279	Duty or tax or fee rate code	C an..7	N		Not used
1131	Code list identification code	C an..17	N		Not used
3055	Code list responsible agency code	C an..3	N		Not used
5278	Duty or tax or fee rate	C an..17	R	n..7	

Remark:

This segment group is required when VAT is calculated at the line item level. Tax identification is required at the line item level as different goods and services can be taxed at different rates. That concerns VAT as well as different intrastate or interstate tax rates in the US.

Example:

TAX+7+VAT+++:::0.00'

No	Tag	St	MaxOcc	Level	Name
	SG26	R	900	1	Line item section
	SG35	O	1	2	Ship-to party
39	NAD	M	1	2	Ship-to's name and address

Standard			Implementation			
Tag	Name	St	Format	St	Format	Usage / Remark
3035	Party function code qualifier	M	an..3	M	an..3	ST Ship to
C082	Party identification details	C		O		
3039	Party identifier	M	an..35	M	an..3	2-digits plant number of the delivery plant of VOLKSWAGEN according to the call-offs for production material.
1131	Code list identification code	C	an..17	N		Not used
3055	Code list responsible agency code	C	an..3	R	an..3	92 Assigned by buyer or buyer's agent

Remark:

The segment group 35 with NAD and LOC are transmitted if it is

production material,
Katalogbestellsystem (KSRM),
vehicles or
hard and software licences.

See the description of LIN and IMD segment. The rules apply analogously. The GEI segment will contain "PM" or "OM". "S" is not possible.

Example:

NAD+ST+11::92'

No	Tag	St	MaxOcc	Level	Name
	SG26	R	900	1	Line item section
	SG35	O	1	2	Ship-to party
40	LOC	O	1	3	Place of discharge

Standard			Implementation			
Tag	Name	St	Format	St	Format	Usage / Remark
3227	Location function code qualifier	M	an..3	M	an..3	11 Place of discharge
C517	Location identification	C		R		
3225	Location identifier	C	an..35	D	an..35	Either coded place/location or location name (DE 3224) must be present.
1131	Code list identification code	C	an..17	N		Not used
3055	Code list responsible agency code	C	an..3	N		Not used
3224	Location name	C	an..256	R	an..5	Unloading points from call-offs

Remark:

Is transmitted with production material and with Katalogbestellungen (VW AG only). GEI Segment = PM, OM

Example:

LOC+11+:::86623'

No	Tag	St	MaxOcc	Level	Name
	SG26	R	900	1	Line item section
	SG35	O	1	2	Ship-to party
41	LOC	O	1	3	Place of delivery or warehouse after discharge

		Standard		Implementation		
Tag	Name	St	Format	St	Format	Usage / Remark
3227	Location function code qualifier	M	an..3	M	an..3	
C517	Location identification	C		R		
3225	Location identifier	C	an..35	N		Not used
1131	Code list identification code	C	an..17	N		Not used
3055	Code list responsible agency code	C	an..3	N		Not used
3224	Location name	C	an..256	R	an..35	

Remark:

Is transmitted if available in the system. It may be differ from the LOC+18 in the delivery call-offs.

Example:

LOC+18+:::HL5'

No	Tag	St	MaxOcc	Level	Name
	SG26	R	900	1	Line item section
	SG35	O	1	2	Ship-to party
	SG36	O	4	3	Ship-to's reference number(s)
42	RFF	M	1	3	Ship-to's reference number(s)

		Standard		Implementation		
Tag	Name	St	Format	St	Format	Usage / Remark
C506	Reference	M		M		
1153	Reference code qualifier	M	an..3	M	an..3	PE Plant number
1154	Reference identifier	C	an..70	C	an..70	

Remark:

Example:

RFF+PE:11'

No	Tag	St	MaxOcc	Level	Name
43	UNS	M	1	0	Section control

			Standard	Implementation		
Tag	Name	St	Format	St	Format	Usage / Remark
0081	Section identification	M	a1	M	a1	S Detail/summary section separation

Remark:

Example:

UNS+S'

No	Tag	St	MaxOcc	Level	Name
44	CNT	O	1	1	Control total

		Standard		Implementation		
Tag	Name	St	Format	St	Format	Usage / Remark
C270	Control	M		M		
6069	Control total type code qualifier	M	an..3	M	an..3	2 Number of line items in message
6066	Control total quantity	M	n..18	R	n..10	Quantity / Control value

Remark:

Example:

CNT+2:1'

No	Tag	St	MaxOcc	Level	Name
	SG50	M	1	1	Invoice amount
45	MOA	M	1	1	Invoice amount

		Standard		Implementation		
Tag	Name	St	Format	St	Format	Usage / Remark
C516	Monetary amount	M		M		
5025	Monetary amount type code qualifier	M	an..3	M	an..3	77 Invoice line item amount
5004	Monetary amount	C	n..35	R	n..15	
6345	Currency identification code	C	an..3	R	an..3	

Remark:

Total sum charged in respect of a single invoice in accordance with the terms of delivery.
 Invoice amount (MOA+77) is the sum of:

- line item amounts (MOA+79)
- plus total invoice additional amount (MOA+136)
- plus total duty/tax/fee amount (MOA+176)
- less payment discount amount (MOA+109)

Example:

MOA+77:27326.24:EUR'

No	Tag	St	MaxOcc	Level	Name
	SG50	R	1	1	Total taxable amount
46	MOA	M	1	1	Total taxable amount

		Standard		Implementation		
Tag	Name	St	Format	St	Format	Usage / Remark
C516	Monetary amount	M		M		
5025	Monetary amount type code qualifier	M	an..3	M	an..3	125 Taxable amount
5004	Monetary amount	C	n..35	R	n..15	
6345	Currency identification code	C	an..3	R	an..3	

Remark:

The Segment group 50 is always transmitted. When no total taxable amount is available the transmitted amount is "0.00" (zero).

Example:

MOA+125:0.00:EUR'

No	Tag	St	MaxOcc	Level	Name
	SG50	R	1	1	Total tax amount
47	MOA	M	1	1	Total tax amount

		Standard		Implementation		
Tag	Name	St	Format	St	Format	Usage / Remark
C516	Monetary amount	M		M		
5025	Monetary amount type code qualifier	M	an..3	M	an..3	176 Message total duty/tax/fee amount
5004	Monetary amount	C	n..35	R	n..15	
6345	Currency identification code	C	an..3	R	an..3	

Remark:

The Segment group 50 is always transmitted. When no total tax amount is available the transmitted amount is "0.00" (zero).

Example:

MOA+176:0.00:EUR'

No	Tag	St	MaxOcc	Level	Name
	SG50	R	1	1	Total line items amount
48	MOA	M	1	1	Total line items amount

		Standard		Implementation		
Tag	Name	St	Format	St	Format	Usage / Remark
C516	Monetary amount	M		M		
5025	Monetary amount type code qualifier	M	an..3	M	an..3	79 Total line items amount
5004	Monetary amount	C	n..35	R	n..15	
6345	Currency identification code	C	an..3	R	an..3	

Remark:

The Total line items amount is always transmitted.

Example:

MOA+79:2550.24:EUR'

No	Tag	St	MaxOcc	Level	Name
	SG50	D	1	1	Payment discount amount
49	MOA	M	1	1	Payment discount amount in invoice, home or payment currency

			Standard	Implementation		
Tag	Name	St	Format	St	Format	Usage / Remark
C516	Monetary amount	M		M		
5025	Monetary amount type code qualifier	M	an..3	M	an..3	109 Payment discount amount
5004	Monetary amount	C	n..35	R	n..15	
6345	Currency identification code	C	an..3	R	an..3	

Remark:

SG50, MOA+109 is transmitted only if a cash discount was considered (PYT+22, PCD+12 und MOA+52 > 0.00).

Example:

MOA+109:0.00:EUR'

No	Tag	St	MaxOcc	Level	Name
	SG50	D	2	1	Non-taxable / exemption amount
50	MOA	M	1	1	Non-taxable or exemption amount

		Standard		Implementation		
Tag	Name	St	Format	St	Format	Usage / Remark
C516	Monetary amount	M		M		
5025	Monetary amount type code qualifier	M	an..3	M	an..3	403 Exemption amount
5004	Monetary amount	C	n..35	R	n..15	
6345	Currency identification code	C	an..3	R	an..3	

Remark:

Net total amount of the invoice. The SG50, MOA+403 is transmitted only if all line item of the invoice are tax-exempt.

Example:

MOA+403:27326.24:EUR'

No	Tag	St	MaxOcc	Level	Name
	SG52	D	2	1	Tax rates and amounts
Segment group 52 is transmitted if at least one line item is taxable.					
51	TAX	M	1	1	Tax type and rate

		Standard		Implementation		
Tag	Name	St	Format	St	Format	Usage / Remark
5283	Duty or tax or fee function code qualifier	M	an..3	M	an..3	7 Tax
C241	Duty/tax/fee type	C		R		
5153	Duty or tax or fee type name code	C	an..3	R	an..3	VAT Value added tax
C533	Duty/tax/fee account detail	C		N		
5289	Duty or tax or fee account code	M	an..6	N		Not used
5286	Duty or tax or fee assessment basis quantity	C	an..15	N		Not used
C243	Duty/tax/fee detail	C		R		
5279	Duty or tax or fee rate code	C	an..7	N		Not used
1131	Code list identification code	C	an..17	N		Not used
3055	Code list responsible agency code	C	an..3	N		Not used
5278	Duty or tax or fee rate	C	an..17	R	n..7	

Remark:

Example:

TAX+7+VAT++++:20'

No	Tag	St	MaxOcc	Level	Name
	SG52	D	2	1	Tax rates and amounts
Segment group 52 is transmitted if at least one line item is taxable.					
52	MOA	D	1	2	Tax amount in invoice currency

		Standard		Implementation		
Tag	Name	St	Format	St	Format	Usage / Remark
C516	Monetary amount	M		M		
5025	Monetary amount type code qualifier	M	an..3	M	an..3	124 Tax amount
5004	Monetary amount	C	n..35	R	n..15	
6345	Currency identification code	C	an..3	R	an..3	

Remark:

Example:

MOA+124:200.00:EUR'

No	Tag	St	MaxOcc	Level	Name
	SG52	D	2	1	Tax rates and amounts
Segment group 52 is transmitted if at least one line item is taxable.					
53	MOA	R	1	2	Taxable amount in invoice currency

		Standard		Implementation		
Tag	Name	St	Format	St	Format	Usage / Remark
C516	Monetary amount	M		M		
5025	Monetary amount type code qualifier	M	an..3	M	an..3	125 Taxable amount
5004	Monetary amount	C	n..35	R	n..15	
6345	Currency identification code	C	an..3	R	an..3	

Remark:

Example:

MOA+125:2000.00:EUR'

No	Tag	St	MaxOcc	Level	Name
54	UNT	M	1	0	Message trailer

		Standard		Implementation		
Tag	Name	St	Format	St	Format	Usage / Remark
0074	Number of segments in the message	M	n..6	M	n..6	Number of segments in the message
0062	Message reference number	M	an..14	M	an..14	= UNH, DE 0062

Remark:

Example:

UNT+47+1'

No	Tag	St	MaxOcc	Level	Name
55	UNZ	M	1	0	Interchange trailer

			Standard	Implementation		
Tag	Name	St	Format	St	Format	Usage / Remark
0036	Interchange control count	M	n..6	M	n..6	Number of messages in the data interchange.
0020	Interchange control reference	M	an..14	M	an..14	

Remark:

Example:

UNZ+1+144659'

Anlage/Attachment 1 Guideline VOLKSWAGEN Global INVOIC

Business cases

	Geschäftsvorfall/ Business case BGM, DE 1000	Herkunft/Origin VWAG, Audi AG, (wird nicht übertragen /not transmitted)	Nachrichtentyp Message type	BGM Code	Beschreibung/Description
1	Material	XKGSV	Self billed invoice	389	<p>Gut-/ oder Lastschriften für Lieferungen von Produktionsmaterial und Material aus dem Katalogbestellsystem, die im Gutschriftverfahren abgewickelt werden. Mengenkorrekturen werden als Lastschrift übertragen.</p> <p>Credit/debit notes for deliveries of production material and material of the catalogue ordering system (Katalogbestellsystem) which are processed within the self-billing procedure. Volume corrections are transmitted as debit note.</p> <p>Catalogue ordering system: NOT AVAILABLE TO VW CHATTANOOGA Global INVOIC as of May 2011</p>
			Debit note	403	
2	Logistikkosten Material Logistics cost material	XKGSV	Credit note	402	<p>Gut-/ oder Lastschriften für Logistikkosten aus Materiallieferungen die im Gutschriftverfahren abgewickelt werden.</p> <p>Credit / debit notes for logistics cost as a result of material deliveries which are processed within the self billing procedure.</p>
			Debit note	403	
3	Preisnachbewertung Material Price variances material	XKMATNB	Credit note	295	<p>Gut-/ oder Lastschriften für Preisnachbewertungen von Materiallieferungen, die im Gutschriftverfahren abgewickelt werden. Es wird immer der gleiche Nachrichtentyp im BGM-Segment (295) übermittelt. Ob es sich um eine Gut- oder Lastschrift handelt, wird im Summenteil durch ein negatives Vorzeichen (Lastschrift) oder kein Vorzeichen (Gutschrift) dargestellt. Die einzelnen Positionen innerhalb der Rechnung können keine oder negative Vorzeichen enthalten.</p> <p>Credit/ debit notes for price variances of material deliveries within the self-billing procedure. In the BGM segment the same messages type (295) is always transmitted. The output can be a credit note or a debit note with negative sign in the sum area of the message. Each line item within the invoice can be with or without a negative sign.</p>
			Debit note	295	
4	Preisnachbewertung Logistikkosten Price variances logistics costs	XKMATNB	Credit note	295	<p>Gut-/ oder Lastschriften für Preisnachbewertungen von Logistikkosten aus Materiallieferungen, die im Gutschriftverfahren abgewickelt werden. Es wird immer der gleiche Nachrichtentyp im BGM-Segment übermittelt. Ob es sich um eine Gut- oder Lastschrift handelt, wird im Summenteil durch ein negatives Vorzeichen (Lastschrift) oder kein Vorzeichen (Gutschrift) dargestellt. Die einzelnen Positionen innerhalb der Rechnung können keine oder negative Vorzeichen enthalten.</p> <p>Credit/ debit notes for price variances of logistics costs of material deliveries within the self - billing procedure. In the BGM segment the same messages type (295) is always transmitted. The output can be a credit note or a debit note with negative sign in the sum area of the message. Each line item within the invoice can be with or without a negative sign.</p>
			Debit note	295	

Anlage/Attachment 1 Guideline VOLKSWAGEN Global INVOIC

Business cases

5	Materialrueckversand Lieferungen Returned deliveries material	XKMATRVL	Credit note	402	Gut-/ oder Lastschriften aus dem Materialrückversand für Lieferungen. Credit/ debit note for returned material deliveries.
			Debit note	403	
6	Materialrueckversand Sonstiges Returned deliveries miscellaneous	XKMATRVS	Credit note	402	Gut-/ oder Lastschriften aus dem Materialrückversand für nicht lagerhaltiges Material. Credit/ debit notes for returned non-stockable material. NOT AVAILABLE TO VW CHATTANOOGA Global INVOIC as of May 2011
			Debit note	403	
7	Materialrueckversand Pruefbericht Returned deliveries test report	MRV	Credit note	402	Gut- / und Lastschriften als Korrekturbelege zu bereits erstellten Prüfberichten. Credit/ debit notes as correction of generated audit reports. NOT AVAILABLE TO VW CHATTANOOGA Global INVOIC as of May 2011
8	Korrektur maschinelle Rechnungen Correction inbound e-invoices	XKMAT	Credit note	381	Gut-/ oder Lastschriften zu Rechnungen für Produktionsmaterial bei Lieferanten die nicht am Gutschriftverfahren teilnehmen. Credit/ debit notes for invoices of production material of suppliers who do not participate in the self-billing procedure. NOT AVAILABLE TO VW CHATTANOOGA Global INVOIC as of May 2011
			Debit note	383	
9	Gewahrleistung Warranty	REGAL	Credit note	381	Gut-/ oder Lastschriften für die Inanspruchnahme von Gewährleistungsansprüchen. Credit/ debit notes for the utilization of warranty claims. NOT AVAILABLE TO VW CHATTANOOGA Global INVOIC as of May 2011
			Debit note	383	
10	Ausschuss und Nacharbeit Defective goods and rework	SAUNA	Credit note	381	Gut-/ und Lastschriften für Nacharbeit bzw. Mehraufwand aufgrund erstellter Prüfberichte. Prüfberichtsnummer siehe Referenz. Credit/ debit notes for additional efforts required for rework due to audit reports. See report number as the reference. NOT AVAILABLE TO VW CHATTANOOGA Global INVOIC as of May 2011
			Debit note	383	
11	Umpackkosten Repacking expenses	UMPACKKO	Credit note	381	Gut-/ und Lastschriften für Handlingsmehraufwand des Behältermanagement der Volkswagen Logistics GmbH. Credit/ debit notes for additional handling efforts of the Container management of Volkswagen Logistics GmbH. NOT AVAILABLE TO VW CHATTANOOGA Global INVOIC as of May 2011
			Debit note	383	
12	Logistischer Mehraufwand	LOGISTIK	Credit note	381	Gut-/ und Lastschriften für logistischen Mehraufwand z. B. nicht eingehaltener Verpackungsvereinbarungen.

Anlage/Attachment 1 Guideline VOLKSWAGEN Global INVOIC

Business cases

	Additional expenses logistics		Debit note	383	Credit/ debit notes for additional logistics efforts, e. g. manual processing for non-conforming ASNs. NOT AVAILABLE TO VW CHATTANOOGA Global INVOIC as of May 2011
--	-------------------------------	--	------------	-----	---

Anlage/Attachment 1 Guideline VOLKSWAGEN Global INVOIC

Business cases

13	Nutzungsgebuehren Usage fees	NUTZUNG	Credit note	381	Gut-/ und Lastschriften der Behälterlogistik für Nutzungsentgelt von Universalbehältern. Credit/ debit notes of Container management for the usage of universal containers. NOT AVAILABLE TO VW CHATTANOOGA Global INVOIC as of May 2011
			Debit note	383	
14	Behaelterlogistik Containers	BEHAELT	Credit note	381	Gut- / und Lastschriften für den Verlust von Transportbehältern. Belegauslösung durch Volkswagen Logistics GmbH. Credit/ debit notes for the loss of transport containers. Document is initiated by Volkswagen Logistics GmbH NOT AVAILABLE TO VW CHATTANOOGA Global INVOIC as of May 2011
			Debit note	383	
15	Bonusvereinbarung Bonuses	BONI	Credit note	381	Gut- / und Lastschriften auf Grund von Bonusgutschriften des Lieferanten. Credit/ debit notes based on bonus credit notes. NOT AVAILABLE TO VW CHATTANOOGA Global INVOIC as of May 2011
			Debit note	383	
16	Qualitaetssicherung Quality	QUALI	Credit note	381	Gut- / und Lastschriften für den Mehraufwand auf Grund von Qualitätsmängeln. Feststellung durch die Qualitätssicherung des Werkes. Credit/ debit notes for additional efforts due to quality deficiencies. NOT AVAILABLE TO VW CHATTANOOGA Global INVOIC as of May 2011
			Debit note	383	
17	Werklogistik allgemein Plant logistics general	PWL	Credit note	381	Gut- / und Lastschriften auf Grund von verspäteten Lieferungen. Credit/ debit notes due to delayed deliveries. NOT AVAILABLE TO VW CHATTANOOGA Global INVOIC as of May 2011
			Debit note	383	
18	Wirtschaftsbetriebe Cafeteria	MINERWAS	Credit note	381	Gut- / und Lastschriften für Lieferanten der Wirtschaftsbetriebe. Credit/ debit notes for suppliers of VW catering service. NOT AVAILABLE TO VW CHATTANOOGA Global INVOIC as of May 2011
			Debit note	383	
19	CKD	CKD	Credit note	381	Gut- / und Lastschriften für logistischen Mehraufwand CKD/PKW. Credit/ debit notes for additional logistics efforts CKD/PKW. NOT AVAILABLE TO VW CHATTANOOGA Global INVOIC as of May 2011
			Debit note	383	

Anlage/Attachment 1 Guideline VOLKSWAGEN Global INVOIC

Business cases

20	Werklogistik CKD Plant logistics CKD	PROCKD	Credit note	381	Gut- / und Lastschriften der Werklogistik auf Grund von verspäteten Lieferungen bei CKD/PKW. Credit/ debit notes from plant logistics due to delayed deliveries at CKD/PKW. NOT AVAILABLE TO VW CHATTANOOGA Global INVOIC as of May 2011
			Debit note	383	
21	Dauer-Gut- oder Lastschriften Recurring credit/debit notes	DAUER	Credit note	381	Gut- / und Lastschriften für wiederkehrende Umfänge. Credit/ debit notes for recurring payments. NOT AVAILABLE TO VW CHATTANOOGA Global INVOIC as of May 2011
			Debit note	383	
22	Handlingskosten Handling expenses	HANDLING	Credit note	381	Gut- / und Lastschriften für Handlingsmehraufwand durch Volkswagen Logistics GmbH. Credit/ debit notes for additional handling efforts of Volkswagen Logistics GmbH. NOT AVAILABLE TO VW CHATTANOOGA Global INVOIC as of May 2011
			Debit note	383	
23	Skontokorrektur Correction cash discount	SKONTO	Credit note	381	Gut- / und Lastschriften als Korrekturbelege zu Skontorechnungen. Credit/ debit notes to correct cash discounts. NOT AVAILABLE TO VW CHATTANOOGA Global INVOIC as of May 2011
			Debit note	383	
24	Umsatzsteuer zu Anzahlung VAT down payment	ANZAHLUN	Credit note	381	Gut- / und Lastschriften über Umsatzsteuer zu Anzahlungen. Credit/ debit notes about Value Added Tax for payments already issued. NOT AVAILABLE TO VW CHATTANOOGA Global INVOIC as of May 2011
			Debit note	383	
25	Kreditorische Umbuchungen Repostings	KU	Credit note	381	Gut- / und Lastschriften zur Verrechnung zwischen debitorischen und kreditorischen Belegen. Adjusting entries for already posted Credit/ debit notes NOT AVAILABLE TO VW CHATTANOOGA Global INVOIC as of May 2011
			Debit note	383	
26	Kreditorische Belege Miscellaneous postings	KRED	Credit note	381	Gut- / und Lastschriften verschiedener Herkunft. Miscellaneous Credit/ debit notes. NOT AVAILABLE TO VW CHATTANOOGA Global INVOIC as of May 2011
			Debit note	383	
27	VW Logistics	VWT	Credit note	381	Gut- / und Lastschriften für die Weiterbelastungen der Frachtkosten an Lieferanten durch Volkswagen Logistics GmbH.

Anlage/Attachment 1 Guideline VOLKSWAGEN Global INVOIC

Business cases

			Debit note	383	Credit/ debit notes for charging freight costs to suppliers by Volkswagen Logistics GmbH. NOT AVAILABLE TO VW CHATTANOOGA Global INVOIC as of May 2011
28	Sonderfahrten Expediting	VWT-SOFA	Credit note	381	Gut- / und Lastschriften der Volkswagen Logistics GmbH für Sonderfahrten.
			Debit note	383	Credit/ debit notes of Volkswagen Logistics for expeditis. NOT AVAILABLE TO VW CHATTANOOGA Global INVOIC as of May 2011
29	VW Logistics	VWT-WOB	Credit note	381	Gut- / und Lastschriften der Volkswagen Logistics GmbH für die Weiterbelastung der Frachtkosten für das Produktionswerk Wolfsburg.
			Debit note	383	Credit/ debit notes of Volkswagen Logistics GmbH for charging freight costs to the production plant Wolfsburg. NOT APPLICABLE TO VW CHATTANOOGA as of May 2011 NOT AVAILABLE TO VW CHATTANOOGA Global INVOIC as of May 2011
30	VW Logistics	VWT-REST	Credit note	381	Gut- / und Lastschriften der Volkswagen Logistics GmbH für Weiterbelastung die keinem Produktionswerk zugeordnet werden können.
			Debit note	383	Credit/ debit notes of Volkswagen Logistics GmbH for charged costs without assignment to a certain plant. NOT AVAILABLE TO VW CHATTANOOGA Global INVOIC as of May 2011

Anlage/Attachment 1 Guideline VOLKSWAGEN Global INVOIC

Business cases

31	VW Logistics	VWL-BS	Credit note	381	Gut- / und Lastschriften der Volkswagen Logistics GmbH für die Weiterbelastung der Frachtkosten für das Produktionswerk Braunschweig. Credit/ debit notes of Volkswagen Logistics GmbH for charging freight costs to the production plant Braunschweig. NOT AVAILABLE TO VW CHATTANOOGA Global INVOIC as of May 2011
			Debit note	383	
32	Währung Currency	WAEH	Credit note	381	Gut- / und Lastschriften zur Umsetzung von nicht gültigen Währungen. Credit/ debit notes in connection with invalid currencies NOT AVAILABLE TO VW CHATTANOOGA Global INVOIC as of May 2011
			Debit note	383	
33	Fracht Materialrueckversand Freight returned deliveries	PBFRACHT	Credit note	381	Frachtkosten bei Materialrückversand Freight costs for returned deliveries NOT AVAILABLE TO VW CHATTANOOGA Global INVOIC as of May 2011
			Debit note	383	

UNA:+.? '
UNB+UNOC:3+OD012345+987654321:1:0100+071205:1446+144659 '
UNH+1+INVOIC:D:07A:UN:GA0131 '
BGM+389:::GSV MATERIAL+00001234+9 '
DTM+137:20101220:102 '
DTM+1:20101215:102 '
FTX+REG+++Vorsitzender des Aufsichtsrats?: Ferdinand Piech Vorstand?
: Martin Winterkorn (Vorsitzender), Francisco J. Garcia Sanz, Jochem
Heizmann, Christian Klingler, Horst Neumann, Hans Dieter Poetsch, R
upert Stadler '
GEI+PM+:::272 '
NAD+BY+654321::91++Volkswagen Aktiengesellschaft++Wolfsburg++38436+D
E '
RFF+VA:DE115235681 '
CTA+IC+1852:Herr Test '
COM+?+49-5361-9-11111:TE '
COM+?+49-5361-9-22222:FX '
NAD+SE+0000999900::92++Max Mustermann GMBH+Musterstrasse 99+Musterst
adt++12345+DE '
RFF+FC:11/222/33333 '
RFF+VA:DE12345678 '
RFF+ANK:987654321 '
NAD+SF+0000999901::92++Max Mustermann Beispiel GMBH+Beispielweg 11+B
eispielstadt++54321+DE '
CUX+2:EUR:4 '
PYT+22 '
DTM+140:20110125:102 '
PCD+12:2.00 '
MOA+52:59.50:EUR '
LIN+1++ 123 456 789:IN '
IMD+++:::MAT '
QTY+47:1000.000:C62 '
MOA+203:2000.00:EUR '
PRI+AAA:200.00::CON:100:C62 '
RFF+ON:0000000001 '
RFF+AAU:00001234567 '
DTM+171:20101213:102 '
TAX+7+VAT++++:::19.00 '
NAD+ST+11:::92 '
LOC+11+:::101 '
LIN+2++ 987 654 321:IN '
IMD+++:::MAT '
QTY+47:10.000:C62 '
MOA+203:500.00:EUR '
PRI+AAA:50.00::CON:1:C62 '
RFF+ON:0000000001 '
RFF+AAU:00003456789 '
DTM+171:20101215:102 '
TAX+7+VAT++++:::19 '
NAD+ST+11:::92 '
LOC+11+:::101 '
UNS+S '
CNT+2:4 '
MOA+77:2975.00:EUR '
MOA+125:2500.00:EUR '
MOA+176:475.00:EUR '
MOA+79:2500.00:EUR '
MOA+109:59.50:EUR '
TAX+7+VAT++++:::19.00 '
MOA+124:475.00:EUR '
MOA+125:2500.00:EUR '
UNT+54+1 '
UNZ+1+144659 '

UNA:+.? '
UNB+UNOC:3+OD012345+987654321:1:0100+071205:1446+144659'
UNH+1+INVOIC:D:07A:UN:GA0131'
BGM+403::PREISNACHBEWERTUNG MATERIAL+00003456+9'
DTM+137:20101220:102'
DTM+1:20101010:102'
FTX+REG+++Vorsitzender des Aufsichtsrats?: Ferdinand Piech Vorstand?
: Martin Winterkorn (Vorsitzender), Francisco J. Garcia Sanz, Jochem
Heizmann, Christian Klingler, Horst Neumann, Hans Dieter Poetsch, R
upert Stadler'
GEI+PM+::272'
NAD+BY+654321::91++Volkswagen Aktiengesellschaft++Wolfsburg++38436+D
E'
RFF+VA:DE115235681'
CTA+IC+1852:Herr Test'
COM+?+49-5361-9-11111:TE'
COM+?+49-5361-9-22222:FX'
NAD+SE+0000999900::92++Max Mustermann GMBH+Musterstrasse 99+Musterst
adt++12345+DE'
RFF+FC:11/222/33333'
RFF+VA:DE12345678'
RFF+ANK:987654321'
NAD+SF+0000999901::92++Max Mustermann Beispiel GMBH+Beispielweg 11+B
eispielstadt++54321+DE'
CUX+2:EUR:4'
PYT+1'
DTM+140:20101125:102'
PCD+12:0.00'
MOA+52:0.00:EUR'
LIN+1++ 123 456 789:IN'
IMD+++::MAT'
QTY+47:100.000:C62'
MOA+203:-50.00:EUR'
PRI+AAA:200.00::CON:100:C62'
PRI+AAA:150.00::AAL:100:C62'
PRI+AAA:-50.00::ABM:100:C62'
RFF+ON:0000000001'
RFF+AAU:00001234567'
DTM+171:20101010:102'
TAX+7+VAT++++::19'
NAD+ST+11::92'
LOC+11+:::101'
UNS+S'
CNT+2:4'
MOA+77:-59.50:EUR'
MOA+125:-50.00:EUR'
MOA+176:-9.50:EUR'
MOA+79:-50.00:EUR'
MOA+403:0.00:EUR'
TAX+7+VAT++++::19'
MOA+124:-9.50:EUR'
MOA+125:-50.00:EUR'
UNT+45+1'
UNZ+1+144659'

UNA:+.? '
UNB+UNOC:3+OD012345+987654321:1:0100+071205:1446+144659'
UNH+1+INVOIC:D:07A:UN:GA0131'
BGM+403::MATERIALRUECKVERSAND SONSTIGES+00002345+9'
DTM+137:20101220:102'
DTM+1:20101115:102'
FTX+REG+++Vorsitzender des Aufsichtsrats?: Ferdinand Piech Vorstand?
: Martin Winterkorn (Vorsitzender), Francisco J. Garcia Sanz, Jochem
Heizmann, Christian Klingler, Horst Neumann, Hans Dieter Poetsch, R
upert Stadler'
GEI+PM+::272'
NAD+BY+654321::91++Volkswagen Aktiengesellschaft++Wolfsburg++38436+D
E'
RFF+VA:DE115235681'
CTA+IC+1852:Herr Test'
COM+?+49-5361-9-11111:TE'
COM+?+49-5361-9-22222:FX'
NAD+SE+0000999900::92++Max Mustermann GMBH+Musterstrasse 99+Musterst
adt++12345+DE'
RFF+FC:11/222/33333'
RFF+VA:DE12345678'
RFF+ANK:987654321'
NAD+SF+0000999901::92++Max Mustermann Beispiel GMBH+Beispielweg 11+B
eispielstadt++54321+DE'
CUX+2:EUR:4'
PYT+1'
DTM+140:20101220:102'
PCD+12:0.00'
MOA+52:0.00:EUR'
LIN+1++ 123 456 789:IN'
IMD+++::MAT'
QTY+47:-8.000:C62'
MOA+203:-400.00:EUR'
PRI+AAA:5000.00::CON:100:C62'
RFF+AAU:00001234567'
DTM+171:20101115:102'
RFF+AIV:0000765432'
RFF+ON:0000000001'
TAX+7+VAT+++::19'
NAD+ST+12::92'
LOC+11+:::200'
LIN+2++ 123 456 789:IN'
IMD+++::HANDLING'
QTY+47:-1.000:C62'
MOA+203:-25.56:EUR'
PRI+AAA:25.56::CON:1:C62'
RFF+AAU:00001234567'
DTM+171:20101115:102'
RFF+AIV:0000765432'
RFF+ON:0000000001'
TAX+7+VAT+++::19'
NAD+ST+12::92'
LOC+11+:::200'
LIN+3++ 123 456 789:IN'
IMD+++::WEFRACHT'
QTY+47:-1.000:C62'
MOA+203:-25.56:EUR'
PRI+AAA:25.56::CON:1:C62'
RFF+AAU:00001234567'
DTM+171:20101115:102'
RFF+AIV:0000765432'
RFF+ON:0000000001'
TAX+7+VAT+++::19'
NAD+ST+12::92'
LOC+11+:::200'

UNS+S'
CNT+2:4'
MOA+77:-536.83:EUR'
MOA+125:-451.12:EUR'
MOA+176:-85.71:EUR'
MOA+79:-451.12:EUR'
TAX+7+VAT+++:::19'
MOA+124:-85.71:EUR'
MOA+125:-536.83:EUR'
UNT+67+1'
UNZ+1+144659'

UNA:+.? '
UNB+UNOC:3+OD012345+987654321:1:0100+071205:1446+144659'
UNH+1+INVOIC:D:07A:UN:GA0131'
BGM+383:::BEHAELTERLOGISTIK+000055555+9'
DTM+137:20110410:102'
DTM+1:20110410:102'
FTX+REG+++Vorsitzender des Aufsichtsrats?: Ferdinand Piech Vorstand?
: Martin Winterkorn (Vorsitzender), Francisco J. Garcia Sanz, Jochem
Heizmann, Christian Klingler, Horst Neumann, Hans Dieter Poetsch, R
upert Stadler'
FTX+TXD+++Schadenersatz, nicht steuerbar'
GEI+S+:272'
NAD+BY+654321::91++Volkswagen Aktiengesellschaft++Wolfsburg++38436+D
E'
RFF+VA:DE115235681'
CTA+IC+1852:Herr Test'
COM+?+49-5361-9-11111:TE'
COM+?+49-5361-9-22222:FX'
NAD+SE+0000999900::92++Max Mustermann GMBH+Musterstrasse 99+Musterst
adt++12345+DE'
RFF+FC:11/222/33333'
RFF+VA:DE12345678'
RFF+ANK:987654321'
NAD+SF+0000999901::92++Max Mustermann Beispiel GMBH+Beispielweg 11+B
eispielstadt++54321+DE'
CUX+2:EUR:4'
PYT+1'
DTM+140:20110410:102'
PCD+12:0.00'
MOA+52:0.00:EUR'
LIN+1++NOT AVAILABLE:IN'
IMD+++:::Werversatzforderung aus Behälterverlust 111111 bei Rückfrag
en bitte Herrn Mustermann anrufen, Tel.05361/911111.'
QTY+47:1.000:C62'
MOA+203:-200.00:EUR'
PRI+AAA:-200.00::CON:1:C62'
TAX+7+VAT+++:::0'
UNS+S'
CNT+2:4'
MOA+77:-200.00:EUR'
MOA+125:0.00:EUR'
MOA+176:0.00:EUR'
MOA+79:-200.00:EUR'
MOA+403:-200.00:EUR'
UNT+36+1'
UNZ+1+144659'