

I. OT Drop Shipment Instruction	EDIFACT DELJIT / CALDEL	1
II. VW-Guide Branching Diagram		3
III. VW-Guide Message Structure		8
IV. VW-Guide Message Example		9
V. VW-Guide Segment Details		10

I. OT Drop Shipment Instruction EDIFACT DELJIT / CALDEL

Volkswagen Parts Division (Vertrieb Originalteile) uses the EDIFACT message DELJIT (CALDEL) to call material at short-notice for drop shipments and / or for shipment of vehicle-specific parts.

In drop shipments parts are shipped direct from the supplier to the VW parts customer (e.g. distribution centre, wholesaler), bypassing the VW central parts depot. Only a selected range of parts from certain suppliers are supplied via drop shipment. Therefore drop shipment instructions must provide the supplier with the precise address of the goods recipient as the supplier needs to deliver direct to the recipient (drop shipment).

The drop shipment instruction also contains data which are not included in the delivery instruction and the daily call-off. Most of these data elements have to be copied back into the dispatch advice or entered in the documents accompanying the shipment. The purchase order number and item should be those of the drop shipment order. The delivery schedule number (closing purchase order number) is passed on to the supplier for information purposes, as this is the contract under which he will deliver.

The drop shipment instruction is also used for vehicle-specific parts. The drop shipment instruction also contains additional information for the supplier concerning the production of vehicle-specific parts e.g. VIN, manufacturing instructions (key number, PIN no.). These and other data must be sent back in the dispatch advice files.

Since vehicle-specific parts should be delivered to the customer within 24 hours of receipt of the order in these cases the drop shipment instruction is sent to suppliers on an hourly basis. (Monday to Friday from 8:00 to 18:00 and once on Saturday morning)

Please observe the instructions in the message guide with regard to sending back data.

General Directions

A drop shipment delivery instruction, i.e. a message (UNH-BGM) should be created for each drop shipment order item.

DELJIT-CALDEL is compiled for direct delivery instructions for drop shipments by the SAP system at Volkswagen Parts Division and sent via the central EDI system in Wolfsburg (Station-ID = R11).

The virtual filenames for the DELJIT - CALDEL are:

- DUC.R11 *sid*.CALDEL

sid = message recipient's station-ID.

The VW delivery instruction EDIFACT-DELFOR (CALDEL) D97A has been defined by Volkswagen and is based on the EDIACT-Odette-Subset CALDEL V3 R1.

The latest version of this document to be found at

http://www.vwgroupsupply.com/b2b/vwb2b_folder/supplypublic/en/platform/applications/applications_edi/edi_download.html

Message layout chart

II. VW-Guide Branching Diagram	3
III. VW-Guide Message Structure	8
IV. VW-Guide Message Example	9
V. VW-Guide Segment Details	10

Bez.
St MaxWdh
Nr
Counter

Bez = Segment-/Group-Identifier

St = Status (M=Muss/Mandatory, C=Conditional, R=Erforderlich/Required, O=Optional, D=Abhängig von/Dependent, A=Empfohlen/Advised)

MaxWdh = maximal iteration of the Segments/Segmentgroups

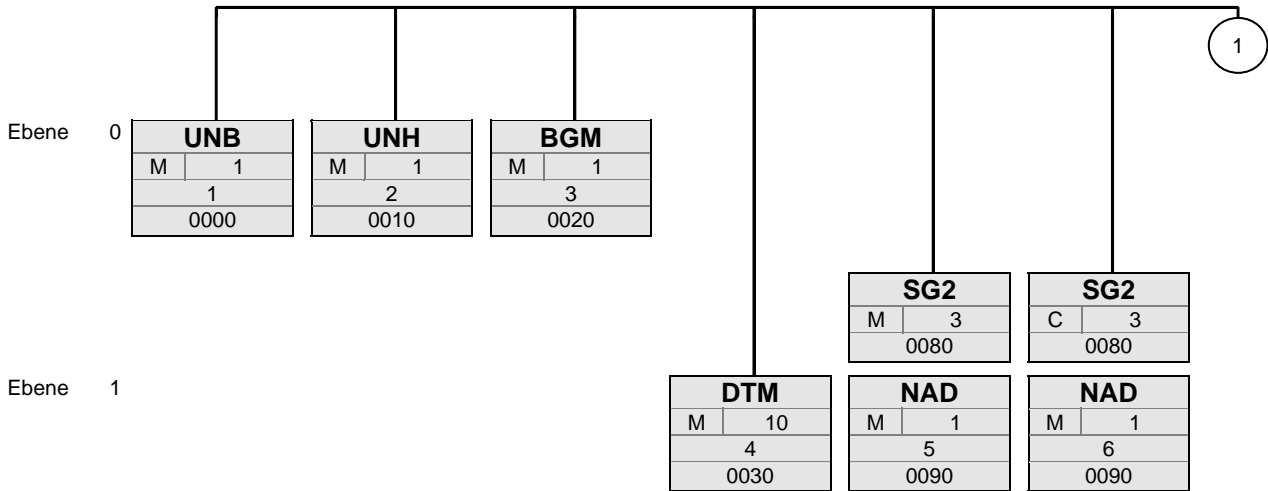
Nr = current segmentnumber in Guide

Counter = Number of the Segments/Groups in Standard

All documented Segments/Segmentgroups are in this message structure described. A documented Segment/Segmentgroup shouldn't have to be assigned always.

In contrast to the EDIFACT- Message layout chart the different Segment-version will be displayed explicitly.

Message layout chart



Bez.
St MaxWdh
Nr
Counter

Bez = Segment-/Group-Identifizier

St = Status (M=Muss/Mandatory, C=Conditional, R=Erforderlich/Required, O=Optional, D=Abhängig von/Dependent, A=Empfohlen/Advised)

MaxWdh = maximal iteration of the Segments/Segmentgroups

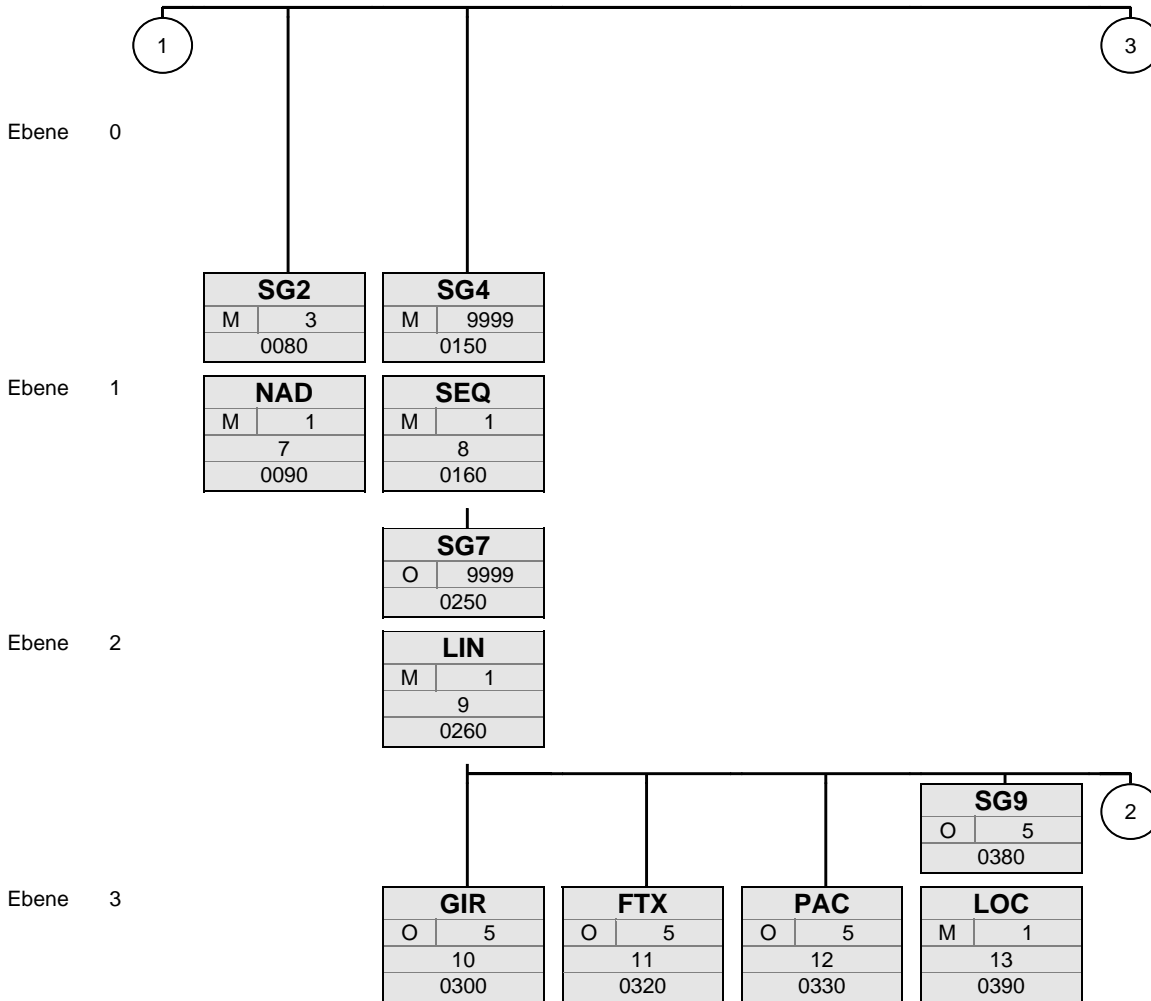
Nr = current segmentnumber in Guide

Counter = Number of the Segments/Groups in Standard

All documented Segments/Segmentgroups are in this message structure described. A documented Segment/Segmentgroup shouldn't have to be assigned always.

In contrast to the EDIFACT- Message layout chart the different Segment-version will be displayed explicitly.

Message layout chart



Bez.
St MaxWdh
Nr
Counter

Bez = Segment-/Group-Identifizier

St = Status (M=Muss/Mandatory, C=Conditional, R=Erforderlich/Required, O=Optional, D=Abhängig von/Dependent, A=Empfohlen/Advised)

MaxWdh = maximal iteration of the Segments/Segmentgroups

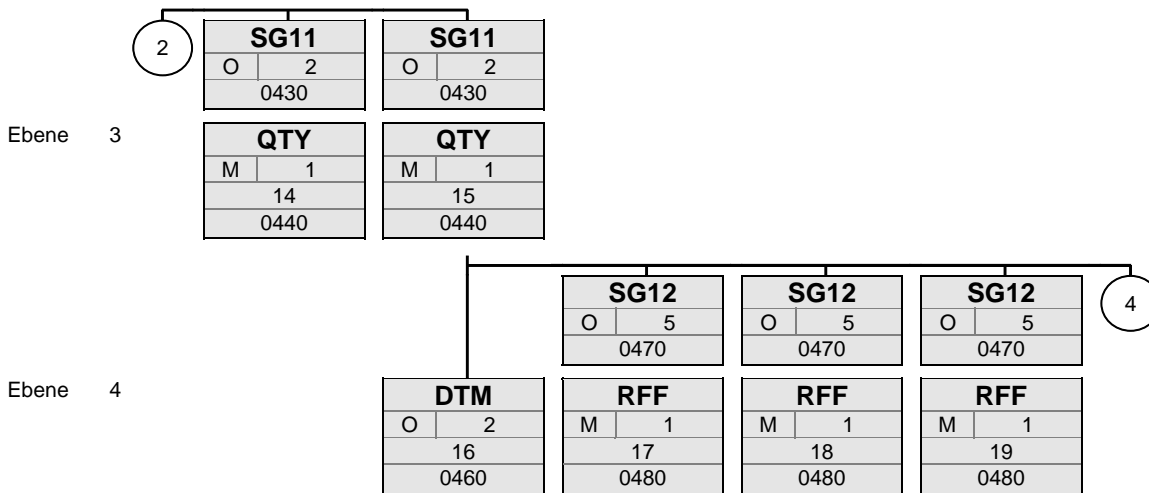
Nr = current segmentnumber in Guide

Counter = Number of the Segments/Groups in Standard

All documented Segments/Segmentgroups are in this message structure described. A documented Segment/Segmentgroup shouldn't have to be assigned always.

In contrast to the EDIFACT- Message layout chart the different Segment-version will be displayed explicitly.

Message layout chart



Bez.
St MaxWdh
Nr
Counter

Bez = Segment-/Group-Identifizier

St = Status (M=Muss/Mandatory, C=Conditional, R=Erforderlich/Required, O=Optional, D=Abhängig von/Dependent, A=Empfohlen/Advised)

MaxWdh = maximal iteration of the Segments/Segmentgroups

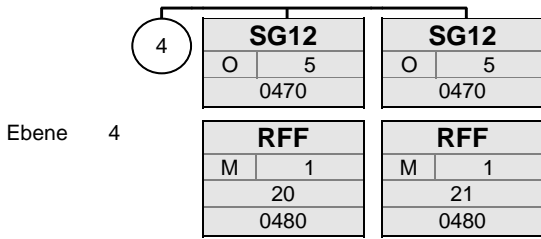
Nr = current segmentnumber in Guide

Counter = Number of the Segments/Groups in Standard

All documented Segments/Segmentgroups are in this message structure described. A documented Segment/Segmentgroup shouldn't have to be assigned always.

In contrast to the EDIFACT- Message layout chart the different Segment-version will be displayed explicitly.

Message layout chart

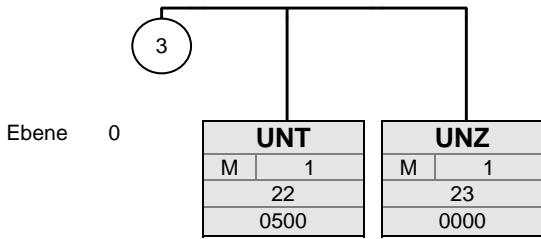


Bez.
St MaxWdh
Nr
Counter

Bez = Segment-/Group-Identifizier
 St = Status (M=Muss/Mandatory, C=Conditional, R=Erforderlich/Required, O=Optional, D=Abhängig von/Dependent, A=Empfohlen/Advised)
 MaxWdh = maximal iteration of the Segments/Segmentgroups
 Nr = current segmentnumber in Guide
 Counter = Number of the Segments/Groups in Standard

All documented Segments/Segmentgroups are in this message structure described. A documented Segment/Segmentgroup shouldn't have to be assigned always.
 In contrast to the EDIFACT- Message layout chart the different Segment-version will be displayed explicitly.

Message layout chart



Bez.
St MaxWdh
Nr
Counter

Bez = Segment-/Group-Identifizier
 St = Status (M=Muss/Mandatory, C=Conditional, R=Erforderlich/Required, O=Optional, D=Abhängig von/Dependent, A=Empfohlen/Advised)
 MaxWdh = maximal iteration of the Segments/Segmentgroups
 Nr = current segmentnumber in Guide
 Counter = Number of the Segments/Groups in Standard

All documented Segments/Segmentgroups are in this message structure described. A documented Segment/Segmentgroup shouldn't have to be assigned always.
 In contrast to the EDIFACT- Message layout chart the different Segment-version will be displayed explicitly.

Message architecture

DELJIT	Delivery just in time message			Segmentname
	Seg. Nr.	St. VW	Max Wdh	
	UNB	1 M	1	INTERCHANGE HEADER
	UNH	2 M	1	MESSAGE HEADER
	BGM	3 M	1	BEGINNING OF MESSAGE
	DTM	4 M	10	DATE/TIME/PERIOD
	SG2	M	3	NAD
	NAD	5 M	1	NAME AND ADDRESS
	SG2	C	3	NAD
	NAD	6 M	1	NAME AND ADDRESS
	SG2	M	3	NAD
	NAD	7 M	1	NAME AND ADDRESS
	SG4	M	9999	SEQ-SG7
	SEQ	8 M	1	SEQUENCE DETAILS
	SG7	O	9999	LIN-GIR-FTX-PAC-SG9-SG11-SG11
	LIN	9 M	1	LINE ITEM
	GIR	10 O	5	RELATED IDENTIFICATION NUMBERS
	FTX	11 O	5	FREE TEXT
	PAC	12 O	5	PACKAGE
	SG9	O	5	LOC
	LOC	13 M	1	PLACE/LOCATION IDENTIFICATION
	SG11	O	2	QTY
	QTY	14 M	1	QUANTITY
	SG11	O	2	QTY-DTM-SG12-SG12-SG12-SG12-SG12
	QTY	15 M	1	QUANTITY
	DTM	16 O	2	DATE/TIME/PERIOD
	SG12	O	5	RFF
	RFF	17 M	1	REFERENCE
	SG12	O	5	RFF
	RFF	18 M	1	REFERENCE
	SG12	O	5	RFF
	RFF	19 M	1	REFERENCE
	SG12	O	5	RFF
	RFF	20 M	1	REFERENCE
	SG12	O	5	RFF
	RFF	21 M	1	REFERENCE
	UNT	22 M	1	MESSAGE TRAILER
	UNZ	23 M	1	INTERCHANGE TRAILER

All documented Segments/Segmentgroups are in this message structure described. A documented Segment/Segmentgroup shouldn't have to be assigned always.

In contrast to the EDIFACT- Message layout chart the different Segment-version will be displayed explicitly.

pattern message

DELJIT Delivery just in time message

	Stat.	Max.	No.	Segment	Contents
		Rep.			
UNB	1	M	1	UNB+UNOA:2+O0013000001VW	R11+O0013000123ABCID000ZB8+010
				423:1459+03919'	
UNH	2	M	1	UNH+1+DELJIT:D:97A:UN'	
BGM	3	M	1	BGM+36::10'	
DTM	4	M	10	DTM+137:199910081459:203'	
SG2		M	3		
NAD	5	M	1	NAD+BY+1234567890::91'	
SG2		C	3		
NAD	6	M	1	NAD+CZ+123456::92'	
SG2		M	3		
NAD	7	M	1	NAD+CN+0000000123::92+VW AUDI VERTRIEBSZENTRUM:NORD GMBH CO. KG++AM STAMMGLEIS 6:ORTSTEIL+NORDERSTEDT++22844+DE'	
SG4		M	9999		
SEQ	8	M	1	SEQ+6'	
SG7		O	9999		
LIN	9	M	1	LIN+1++107 201 551 DA:BP'	
GIR	10	O	5	GIR+4+WVWZZZ6NZXW039827:VV+1234567890:BF'	
FTX	11	O	5	FTX+PRI+2+IB'	
PAC	12	O	5	PAC+1++002304::92'	
SG9		O	5		
LOC	13	M	1	LOC+64+453TO::92+ABCDEFGHJIJ1234567890ABCDE::86'	
SG11		O	2		
QTY	14	M	1	QTY+52:1234567890123:PCE'	
SG11		O	2		
QTY	15	M	1	QTY+21:1234567890123:PCE'	
DTM	16	O	2	DTM+2:20010423:102'	
SG12		O	5		
RFF	17	M	1	RFF+ON:9011701052:00006:N'	
SG12		O	5		
RFF	18	M	1	RFF+CG:1703044'	
SG12		O	5		
RFF	19	M	1	RFF+ACF:044/21814'	
SG12		O	5		
RFF	20	M	1	RFF+AAJ:0001062616'	
SG12		O	5		
RFF	21	M	1	RFF+ADF:E098114532'	
UNT	22	M	1	UNT+21+1'	
UNZ	23	M	1	UNZ+1+03919'	

Segments

Nr.	Bez	St	MaxWdh	Level	Name
1	UNB	M	1	0	INTERCHANGE HEADER Identification of transmission (header segment), once per transmission

		Standard	Implementation	
Bez	Name	St Format	St Format	Anwendung / Bemerkung
UNB				
S001	SYNTAX IDENTIFIER	M	M	
0001	Syntax identifier	M a4	M a4	UNOA;UN/ECE level A
0002	Syntax version number	M n1	M n1	2;Version 2
S002	INTERCHANGE SENDER	M	M	
0004	Sender identification	M an..35	M an..35	Sender identifier, ODETTE-ID of data sender, in this case station R11 (ID contains 6 blanks)
S003	INTERCHANGE RECIPIENT	M	M	
0010	Recipient identification	M an..35	M an..35	Recipient identifier, as agreed. If the Odette ID has not been agreed as the recipient name, this is indicated in the following qualifier (0007).
S004	DATE/TIME OF PREPARATION	M	M	
0017	Date of preparation	M n6	M n6	Date of preparation (conversion) of the transmission file YYMMDD
0019	Time of preparation	M n4	M n4	Time of preparation (conversion) of the transmission file HHMM
0020	Interchange control reference	M an..14	M an..14	Unique reference number, assigned by sender to track the operation.

Comment:

Volkswagen AG uses the standard separator characters. The UNA segment is not sent.

Example:

UNB+UNOA:2+00013000001VW R11+00013000123ABCID000ZB8+010423:1459+03919'

Bez = Objekt-Identifier
 Nr = current segmentnumber in Guide
 MaxWdh = maximal iteration of the Segments/Segmentgroups

St = Status
 EDIFACT: M=Muss/Mandatory, C=Conditional
 Anwendung: R=Erforderlich/Required, N=Nicht benutzt/Not used

Segments

Nr.	Bez	St	MaxWdh	Level	Name
2	UNH	M	1	0	MESSAGE HEADER Message Type Identification, first segment of a message

		Standard	Implementation	
Bez	Name	St	Format	Anwendung / Bemerkung
UNH				
0062	Message reference number	M	an..14	M an..14 Reference number is allocated by data sender.
S009	MESSAGE IDENTIFIER	M		M
0065	Message type identifier	M	an..6	M an..6 DELJIT;Delivery just in time message
0052	Message type version number	M	an..3	M an..3 D;Draft version/UN/EDIFACT Directory
0054	Message type release number	M	an..3	M an..3 97A;Release 1997 - A
0051	Controlling agency	M	an..2	M an..2 UN;UN/ECE/TRADE/WP.4

Comment:

Example:

UNH+1+DELJIT:D:97A:UN'

Bez = Objekt-Identifier
 Nr = current segmentnumber in Guide
 MaxWdh = maximal iteration of the Segments/Segmentgroups

St = Status
 EDIFACT: M=Muss/Mandatory, C=Conditional
 Anwendung: R=Erforderlich/Required, N=Nicht benutzt/Not used

Segments

Nr.	Bez	St	MaxWdh	Level	Name
3	BGM	M	1	0	BEGINNING OF MESSAGE Header segment of drop shipment instruction

Standard			Implementation	
Bez	Name	St Format	St Format	Anwendung / Bemerkung
BGM				
C002	DOCUMENT/MESSAGE NAME	C	O	
1001	Document/message name, coded	C an..3	O an..3	36;Direktabruf / Call Off
1131	Code list qualifier	C an..3	N N	Not used
3055	Code list responsible agency, coded	C an..3	O an..3	10;ODETTE

Comment:

Example:

BGM+36:::10'

Bez = Objekt-Identifier
 Nr = current segmentnumber in Guide
 MaxWdh = maximal iteration of the Segments/Segmentgroups

St = Status
 EDIFACT: M=Muss/Mandatory, C=Conditional
 Anwendung: R=Erforderlich/Required, N=Nicht benutzt/Not used

Segments

Nr.	Bez	St	MaxWdh	Level	Name
4	DTM	M	10	1	DATE/TIME/PERIOD Message creation date / time

Standard			Implementation	
Bez	Name	St Format	St Format	Anwendung / Bemerkung
DTM				
C507	DATE/TIME/PERIOD	M	M	
2005	Date/time/period qualifier	M an..3	M an..3	137;Document/message date/time
2380	Date/time/period	C an..35	O an..35	Date / time: Reference data (REF) and sequence forecast (SEV): Time file created in LAFES-JIT PAB SEV, SEC: Time message created in FIS-JIT
2379	Date/time/period format qualifier	C an..3	O an..3	203;CCYYMMDDHHMM

Comment:

Example:

DTM+137:199910081459:203'

Bez = Objekt-Identifizier
 Nr = current segmentnumber in Guide
 MaxWdh = maximal iteration of the Segments/Segmentgroups

St = Status
 EDIFACT: M=Muss/Mandatory, C=Conditional
 Anwendung: R=Erforderlich/Required, N=Nicht benutzt/Not used

Segments

Nr.	Bez	St	MaxWdh	Level	Name
	SG2	M	3	1	NAD
5	NAD	M	1	1	NAME AND ADDRESS Customer Identification

		Standard		Implementation		
Bez	Name	St	Format	St	Format	Anwendung / Bemerkung
NAD						
3035	Party qualifier	M	an..3	M	an..3	BY;Buyer
C082	PARTY IDENTIFICATION DETAILS	C		O		
3039	Party id. identification	M	an..35	M	an..10	Customer number, can be agreed with VW, otherwise 'VW' is entered.
1131	Code list qualifier	C	an..3	N	N	Not used
3055	Code list responsible agency, coded	C	an..3	O	an..3	91;Assigned by seller or seller's agents; if a customer number for VW has been agreed 92;Assigned by buyer if 'VW' is used

Comment:

Example:

NAD+BY+1234567890:::91'

Bez = Objekt-Identifier
 Nr = current segmentnumber in Guide
 MaxWdh = maximal iteration of the Segments/Segmentgroups

St = Status
 EDIFACT: M=Muss/Mandatory, C=Conditional
 Anwendung: R=Erforderlich/Required, N=Nicht benutzt/Not used

Segments

Nr.	Bez	St	MaxWdh	Level	Name
	SG2	C	3	1	NAD
6	NAD	M	1	1	NAME AND ADDRESS Supplier identification

		Standard	Implementation	
Bez	Name	St Format	St Format	Anwendung / Bemerkung
NAD				
3035	Party qualifier	M an..3	M an..3	CZ;Versender
C082	PARTY IDENTIFICATION DETAILS	C	O	
3039	Party id. identification	M an..35	M an..9	(an9) Enlarged supplier number including identifier for supplier plant (7 plus 2), (an6) valid for suppliers with supplier number in format used up to now (5 plus 1) The 7-character (old: 5-character) supplier number must be sent back in the dispatch advice data VDA 4913 (711/4). The plant identifier must be sent back in the dispatch advice data VDA 4913 (712/4).
1131	Code list qualifier	C an..3	N N	Not used
3055	Code list responsible agency, coded	C an..3	O an..3	92;Assigned by buyer or buyer's agents

Comment:

The enlarged supplier number is transmitted with 9-characters (7-character supplier number + 2-character supplier plant identifier).

Example:

NAD+CZ+123456::92'

Bez = Objekt-Identifizier
Nr = current segmentnumber in Guide
MaxWdh = maximal iteration of the Segments/Segmentgroups

St = Status
EDIFACT: M=Muss/Mandatory, C=Conditional
Anwendung: R=Erforderlich/Required, N=Nicht benutzt/Not used

Segments

Nr.	Bez	St	MaxWdh	Level	Name
	SG2	M	3	1	NAD
7	NAD	M	1	1	NAME AND ADDRESS Material recipient identification (distribution centre or factory)

		Standard	Implementation	
Bez	Name	St Format	St Format	Anwendung / Bemerkung
NAD				
3035	Party qualifier	M an..3	M an..3	CN;Warenempfänger
C082	PARTY IDENTIFICATION DETAILS	C	O	
3039	Party id. identification	M an..35	M an..10	material recipient; If the material recipient is a VW material receiving location, the 2-character VW plant identifier of the recipient plant, should be inserted here (14 or 21), which should be sent back in VDA 4913 (713/11). In the case of drop shipment deliveries (receiving location 453TO) the recipient's VW-SAP account number (e.g. of the distribution centre) is sent; must be agreed with VW. The material recipient must be sent back in the dispatch advice data VDA 4913 (713/13).
1131	Code list qualifier	C an..3	N N	Not used
3055	Code list responsible agency, coded	C an..3	O an..3	92;Assigned by buyer or buyer's agents
C058	NAME AND ADDRESS	C	O	
3124	Name and address line	M an..35	M an..35	
3124	Name and address line	C an..35	O an..35	
C080	PARTY NAME	C	N N	
3036	Party name	M an..35	N N	Not used
C059	STREET	C	O	
3042	Street and number/p.o. box	M an..35	M an..35	
3042	Street and number/p.o. box	C an..35	O an..35	
3164	City name	C an..35	O an..35	
3229	Country sub-entity identification	C an..9	N N	Not used
3251	Postcode identification	C an..9	O an..9	
3207	Country, coded	C an..3	O an..3	

Comment:

Example:

NAD+CN+0000000123::92+VW AUDI VERTRIEBSZENTRUM:NORD GMBH CO. KG++AM STAMMGLEIS 6:ORTSTEIL+NORDERS
TEDT++22844+DE'

Bez = Objekt-Identifizier
Nr = current segmentnumber in Guide
MaxWdh = maximal iteration of the Segments/Segmentgroups

St = Status
EDIFACT: M=Muss/Mandatory, C=Conditional
Anwendung: R=Erforderlich/Required, N=Nicht benutzt/Not used

Segments

Nr.	Bez	St	MaxWdh	Level	Name
	SG4	M	9999	1	SEQ-SG7
8	SEQ	M	1	1	SEQUENCE DETAILS Structure segment for DELJIT

		Standard		Implementation	
Bez	Name	St	Format	St	Format
SEQ					
1245	Status indicator, coded	C	an..3	O	an..3
				6;Vereinbarung, es werden keine Sequenzdaten übermittelt	

Comment:

No sequence data are sent in direct delivery drop shipments of replacement parts.

Example:

SEQ+6'

Bez = Objekt-Identifizier
 Nr = current segmentnumber in Guide
 MaxWdh = maximal iteration of the Segments/Segmentgroups

St = Status
 EDIFACT: M=Muss/Mandatory, C=Conditional
 Anwendung: R=Erforderlich/Required, N=Nicht benutzt/Not used

Segments

Nr.	Bez	St	MaxWdh	Level	Name
	SG4	M	9999	1	SEQ-SG7
	SG7	O	9999	2	LIN-GIR-FTX-PAC-SG9-SG11
9	LIN	M	1	2	LINE ITEM Article data / part number

Standard			Implementation	
Bez	Name	St Format	St Format	Anwendung / Bemerkung
LIN				
1082	Line item number	C an..6	O an..5	the line item numbers are consecutive for each individual message.
1229	Action request/notification, coded	C an..3	N N	Not used
C212	ITEM NUMBER IDENTIFICATION	C	O	
7140	Item number	C an..35	O an..19	Part number / article number / VW part number in structured print format (TTT MMM UUU II FFF), blanks at the end of the article number will not be sent. Must be sent back in the dispatch advice data VDA 4913 (714/3).
7143	Item number type, coded	C an..3	O an..3	BP;Buyer's part number

Comment:

Example:

LIN+1++107 201 551 DA:BP'

Bez = Objekt-Identifier
 Nr = current segmentnumber in Guide
 MaxWdh = maximal iteration of the Segments/Segmentgroups

St = Status
 EDIFACT: M=Muss/Mandatory, C=Conditional
 Anwendung: R=Erforderlich/Required, N=Nicht benutzt/Not used

Segments

Nr.	Bez	St	MaxWdh	Level	Name
	SG4	M	9999	1	SEQ-SG7
	SG7	O	9999	2	LIN-GIR-FTX-PAC-SG9-SG11
10	GIR	O	5	3	RELATED IDENTIFICATION NUMBERS Vehicle specific data

Standard			Implementation	
Bez	Name	St Format	St Format	Anwendung / Bemerkung
GIR				
7297	Set identification qualifier	M an..3	M an..3	4;Vehicle reference set
C206	IDENTIFICATION NUMBER	M	M	
7402	Identity number	M an..35	M an..17	VIN; Must be sent back in the dispatch advice data VDA 4913 (714/4 = Field for supplier part number!).
7405	Identity number qualifier	C an..3	O an..3	VV;Vehicle identity number
C206	IDENTIFICATION NUMBER	C	O	
7402	Identity number	M an..35	M an..10	PIN, manufacturing note for supplier PIN (immobilizer) Must be sent back in the dispatch advice data VDA 4913 (714/14 = Field for batch number!) .
7405	Identity number qualifier	C an..3	O an..3	BF;Door key number

Comment:

This segment is only used when calling vehicle-specific parts

Example:

GIR+4+VWVZZZ6NZXW039827:VV+1234567890:BF'

Bez = Objekt-Identifier
 Nr = current segmentnumber in Guide
 MaxWdh = maximal iteration of the Segments/Segmentgroups

St = Status
 EDIFACT: M=Muss/Mandatory, C=Conditional
 Anwendung: R=Erforderlich/Required, N=Nicht benutzt/Not used

Segments

Nr.	Bez	St	MaxWdh	Level	Name
	SG4	M	9999	1	SEQ-SG7
	SG7	O	9999	2	LIN-GIR-FTX-PAC-SG9-SG11
11	FTX	O	5	3	FREE TEXT Order identifier

Standard			Implementation	
Bez	Name	St Format	St Format	Anwendung / Bemerkung
FTX				
4451	Text subject qualifier	M an..3	M an..3	PRI;Priority information
4453	Text function, coded	C an..3	O an..3	2;Text replacing missing code
C107	TEXT REFERENCE	C	O	
4441	Free text identification	M an..17	M an..17	

Comment:

Example:

FTX+PRI+2+IB'

Bez = Objekt-Identifier
 Nr = current segmentnumber in Guide
 MaxWdh = maximal iteration of the Segments/Segmentgroups

St = Status
 EDIFACT: M=Muss/Mandatory, C=Conditional
 Anwendung: R=Erforderlich/Required, N=Nicht benutzt/Not used

Segments

Nr.	Bez	St	MaxWdh	Level	Name
	SG4	M	9999	1	SEQ-SG7
	SG7	O	9999	2	LIN-GIR-FTX-PAC-SG9-SG11
12	PAC	O	5	3	PACKAGE Packaging data

Standard			Implementation	
Bez	Name	St Format	St Format	Anwendung / Bemerkung
PAC				
7224	Number of packages	C n..8	O n..8	Specification number of packages; The number of packages actually used must be sent back in the dispatch advice data VDA 4913 (715/5).
C531	PACKAGING DETAILS	C	N N	
7075	Packaging level, coded	C an..3	N N	Not used
C202	PACKAGE TYPE	C	O	
7065	Type of packages identification	C an..17	O an..17	Packaging type, in accordance with VW packaging rules. The packaging type actually used, which may differ to that in the delivery instruction, must be indicated in the dispatch advice data VDA 4913 (715/3).
1131	Code list qualifier	C an..3	N N	Not used
3055	Code list responsible agency, coded	C an..3	O an..3	92;Assigned by buyer or buyer's agents

Comment:

Packaging details are currently not sent in replacement parts drop shipments.

When packaging details are given they are indicated by part number contrary to the ODETTE recommendation.

Example:

PAC+1++002304::92'

Bez = Objekt-Identifier
 Nr = current segmentnumber in Guide
 MaxWdh = maximal iteration of the Segments/Segmentgroups

St = Status
 EDIFACT: M=Muss/Mandatory, C=Conditional
 Anwendung: R=Erforderlich/Required, N=Nicht benutzt/Not used

Segments

Nr.	Bez	St	MaxWdh	Level	Name
	SG4	M	9999	1	SEQ-SG7
	SG7	O	9999	2	LIN-GIR-FTX-PAC-SG9-SG11
	SG9	O	5	3	LOC
13	LOC	M	1	3	PLACE/LOCATION IDENTIFICATION Delivery location

Standard			Implementation	
Bez	Name	St Format	St Format	Anwendung / Bemerkung
LOC				
3227	Place/location qualifier	M an..3	M an..3	64;Erster vorgesehener Entladeort
C517	LOCATION IDENTIFICATION	C	O	
3225	Place/location identification	C an..25	O an..5	VW material receiving location must be sent back in the dispatch advice data VDA 4913 (713/5). Material receiving location '453T0': in drop shipments this material receiving location must be indicated for financial reasons. If the material receiving location is '453T0' the logistical material receiving location in the Euro-Depot is entered in C519, DE 3223.
1131	Code list qualifier	C an..3	N N	Not used
3055	Code list responsible agency, coded	C an..3	O an..3	92;Assigned by buyer or buyer's agents
C519	RELATED LOCATION ONE IDENTIFICATION	C	O	
3223	Related place/location one identification	C an..25	O an..25	Material receiving location in drop shipments only, shipment must be delivered to this location at the depot.
1131	Code list qualifier	C an..3	N N	Not used
3055	Code list responsible agency, coded	C an..3	O an..3	86;Zugewiesen vom Aussteller der Nachricht

Comment:

Example:

LOC+64+453TO: :92+ABCDEFGHJIJ1234567890ABCDE: :86'

Bez = Objekt-Identifizier
Nr = current segmentnumber in Guide
MaxWdh = maximal iteration of the Segments/Segmentgroups

St = Status
EDIFACT: M=Muss/Mandatory, C=Conditional
Anwendung: R=Erforderlich/Required, N=Nicht benutzt/Not used

Segments

Nr.	Bez	St	MaxWdh	Level	Name
	SG4	M	9999	1	SEQ-SG7
	SG7	O	9999	2	LIN-GIR-FTX-PAC-SG9-SG11
	SG11	O	2	3	QTY
14	QTY	M	1	3	QUANTITY Quantity per pack

Standard			Implementation	
Bez	Name	St Format	St Format	Anwendung / Bemerkung
QTY				
C186	QUANTITY DETAILS	M	M	
6063	Quantity qualifier	M an..3	M an..3	52;Quantity per pack
6060	Quantity	M n..15	M n..13	Call off quantity for each item no. (for each Order data / control no)Specification quantity per pack. The actual quantity must be indicated in the dispatch advice data VDA 4913 (715/7).
6411	Measure unit qualifier	C an..3	O an..3	PCE;piece

Comment:

Example:

QTY+52:1234567890123:PCE'

Bez = Objekt-Identifier
 Nr = current segmentnumber in Guide
 MaxWdh = maximal iteration of the Segments/Segmentgroups

St = Status
 EDIFACT: M=Muss/Mandatory, C=Conditional
 Anwendung: R=Erforderlich/Required, N=Nicht benutzt/Not used

Segments

Nr.	Bez	St	MaxWdh	Level	Name
	SG4	M	9999	1	SEQ-SG7
	SG7	O	9999	2	LIN-GIR-FTX-PAC-SG9-SG11
	SG11	O	2	3	QTY-DTM-SG12
15	QTY	M	1	3	QUANTITY Ordered quantity

Standard			Implementation	
Bez	Name	St Format	St Format	Anwendung / Bemerkung
QTY				
C186	QUANTITY DETAILS	M	M	
6063	Quantity qualifier	M an..3	M an..3	21;Ordered quantity
6060	Quantity	M n..15	M n..13	Ordered quantity; The ordered quantity must be indicated in the dispatch advice data VDA 4913 (714/6).
6411	Measure unit qualifier	C an..3	O an..3	PCE;piece

Comment:

Example:

QTY+21:1234567890123:PCE'

Bez = Objekt-Identifizier
 Nr = current segmentnumber in Guide
 MaxWdh = maximal iteration of the Segments/Segmentgroups

St = Status
 EDIFACT: M=Muss/Mandatory, C=Conditional
 Anwendung: R=Erforderlich/Required, N=Nicht benutzt/Not used

Segments

Nr.	Bez	St	MaxWdh	Level	Name
	SG4	M	9999	1	SEQ-SG7
	SG7	O	9999	2	LIN-GIR-FTX-PAC-SG9-SG11
	SG11	O	2	3	QTY-DTM-SG12
16	DTM	O	2	4	DATE/TIME/PERIOD Delivery time

		Standard	Implementation	
Bez	Name	St Format	St Format	Anwendung / Bemerkung
DTM				
C507	DATE/TIME/PERIOD	M	M	
2005	Date/time/period qualifier	M an..3	M an..3	2;Liefertermin (-datum/-zeit), gewünscht
2380	Date/time/period	C an..35	O an..35	Date on which the goods should reach the recipient
2379	Date/time/period format qualifier	C an..3	O an..3	102;CCYYMMDD

Comment:

Example:

DTM+2:20010423:102'

Bez = Objekt-Identifizier
 Nr = current segmentnumber in Guide
 MaxWdh = maximal iteration of the Segments/Segmentgroups

St = Status
 EDIFACT: M=Muss/Mandatory, C=Conditional
 Anwendung: R=Erforderlich/Required, N=Nicht benutzt/Not used

Segments

Nr.	Bez	St	MaxWdh	Level	Name
	SG4	M	9999	1	SEQ-SG7
	SG7	O	9999	2	LIN-GIR-FTX-PAC-SG9-SG11
	SG11	O	2	3	QTY-DTM-SG12
	SG12	O	5	4	RFF
17	RFF	M	1	4	REFERENCE SAP purchase order number

Standard			Implementation	
Bez	Name	St Format	St Format	Anwendung / Bemerkung
RFF				
C506	REFERENCE	M	M	
1153	Reference qualifier	M an..3	M an..3	ON;Auftragsnummer (Einkauf)
1154	Reference number	C an..35	O an..10	Purchase order number in SAP; The dispatch advice data VDA 4913 (713/8 = field for purchase order number) must contain this SAP purchase order number instead of the order/purchase order number from the general contract. The EDI shipping list / dispatch advice to the goods recipient must also indicate the SAP purchase order number.
1156	Line number	C an..6	O an..5	Order line item number; The order line item number allows the data recipient to tell whether the defined order line item has already been sent/processed. The dispatch advice data VDA 4913 (714/22 = field for original dispatch advice number) must contain the order line item number of the SAP purchase order number and this must also be indicated on the EDI shipping list / dispatch advice sent to the goods recipient.
4000	Reference version number	C an..35	O an..35	

Comment:

The change marker in data element 4000 "Reference version number" indicates whether an order line item should be treated as newly created item (N), a change (A) or a deletion (L). The information in this field requires further examinations within the supplier system which in the following cases will lead to a rejection report or the issuing of a warning.

- A. The order line item is sent as a newly created item and has already been processed;
- B. The order item is sent as a change/deletion, but has never been sent before (warning);
- C. The order item is sent as a change/deletion and it is already in the production process and consequently can no longer be changed/deleted.

Example:

RFF+ON:9011701052:00006:N'

Bez = Objekt-Identifizier
 Nr = current segmentnumber in Guide
 MaxWdh = maximal iteration of the Segments/Segmentgroups

St = Status
 EDIFACT: M=Muss/Mandatory, C=Conditional
 Anwendung: R=Erforderlich/Required, N=Nicht benutzt/Not used

Segments

Nr.	Bez	St	MaxWdh	Level	Name
	SG4	M	9999	1	SEQ-SG7
	SG7	O	9999	2	LIN-GIR-FTX-PAC-SG9-SG11
	SG11	O	2	3	QTY-DTM-SG12
	SG12	O	5	4	RFF
18	RFF	M	1	4	REFERENCE Parts customer purchase order

Standard			Implementation	
Bez	Name	St Format	St Format	Anwendung / Bemerkung
RFF				
C506	REFERENCE	M	M	
1153	Reference qualifier	M an..3	M an..3	CG;Auftragsnummer des Empfängers
1154	Reference number	C an..35	O an..20	Purchase order number of parts customer; The dispatch advice data VDA 4913 (716/4 = text 2 field) must contain this purchase order number and it must also be indicated on the EDI shipping list / dispatch advice sent to the goods recipient.

Comment:

Example:

RFF+CG:1703044'

Bez = Objekt-Identifier
 Nr = current segmentnumber in Guide
 MaxWdh = maximal iteration of the Segments/Segmentgroups

St = Status
 EDIFACT: M=Muss/Mandatory, C=Conditional
 Anwendung: R=Erforderlich/Required, N=Nicht benutzt/Not used

Segments

Nr.	Bez	St	MaxWdh	Level	Name
	SG4	M	9999	1	SEQ-SG7
	SG7	O	9999	2	LIN-GIR-FTX-PAC-SG9-SG11
	SG11	O	2	3	QTY-DTM-SG12
	SG12	O	5	4	RFF
19	RFF	M	1	4	REFERENCE Final customer reference number

		Standard	Implementation	
Bez	Name	St	Format	Anwendung / Bemerkung
RFF				
C506	REFERENCE	M	M	
1153	Reference qualifier	M an..3	M an..3	ACF;Empfängerreferenz
1154	Reference number	C an..35	O an..20	Purchase order number of final customer; This number represents a reference between the parts customer an the final customer. It must be indicated in the dispatch advice data VDA 4913 (716/5 = text 3 field) and the EDI shipping list/dispatch advice sent to the goods recipient.

Comment:

Example:

RFF+ACF:044/21814'

Bez = Objekt-Identifier
 Nr = current segmentnumber in Guide
 MaxWdh = maximal iteration of the Segments/Segmentgroups

St = Status
 EDIFACT: M=Muss/Mandatory, C=Conditional
 Anwendung: R=Erforderlich/Required, N=Nicht benutzt/Not used

Segments

Nr.	Bez	St	MaxWdh	Level	Name
	SG4	M	9999	1	SEQ-SG7
	SG7	O	9999	2	LIN-GIR-FTX-PAC-SG9-SG11
	SG11	O	2	3	QTY-DTM-SG12
	SG12	O	5	4	RFF
20	RFF	M	1	4	REFERENCE Supply order number

Standard			Implementation	
Bez	Name	St Format	St Format	Anwendung / Bemerkung
RFF				
C506	REFERENCE	M	M	
1153	Reference qualifier	M an..3	M an..3	AAJ;Lieferauftragsnummer
1154	Reference number	C an..35	O an..10	Order number ("SAP order number"); This order number must also be indicated on the EDI shipping list/dispatch advice sent to the goods recipient.

Comment:

Example:

RFF+AAJ:0001062616'

Bez = Objekt-Identifier
 Nr = current segmentnumber in Guide
 MaxWdh = maximal iteration of the Segments/Segmentgroups

St = Status
 EDIFACT: M=Muss/Mandatory, C=Conditional
 Anwendung: R=Erforderlich/Required, N=Nicht benutzt/Not used

Segments

Nr.	Bez	St	MaxWdh	Level	Name
	SG4	M	9999	1	SEQ-SG7
	SG7	O	9999	2	LIN-GIR-FTX-PAC-SG9-SG11
	SG11	O	2	3	QTY-DTM-SG12
	SG12	O	5	4	RFF
21	RFF	M	1	4	REFERENCE Contract number

		Standard		Implementation		
Bez	Name	St	Format	St	Format	Anwendung / Bemerkung
RFF						
C506	REFERENCE	M		M		
1153	Reference qualifier	M	an..3	M	an..3	ADF; Vertragsnummer
1154	Reference number	C	an..35	O	an..10	General contract (delivery schedule); The number of the general contract must also be indicated on the EDI shipping list/dispatch advice sent to the goods recipient.

Comment:

Example:

RFF+ADF:E098114532'

Bez = Objekt-Identifier
 Nr = current segmentnumber in Guide
 MaxWdh = maximal iteration of the Segments/Segmentgroups

St = Status
 EDIFACT: M=Muss/Mandatory, C=Conditional
 Anwendung: R=Erforderlich/Required, N=Nicht benutzt/Not used

Segments

Nr.	Bez	St	MaxWdh	Level	Name
22	UNT	M	1	0	MESSAGE TRAILER Final segment of message, Message check segment

Standard			Implementation	
Bez	Name	St Format	St Format	Anwendung / Bemerkung
UNT				
0074	Number of segments in a message	M n..6	M n..6	Check counter for the total number of segments in the message (including UNH and UNT segments).
0062	Message reference number	M an..14	M an..14	The reference number must be identical to UNH, DE 0062, and is assigned by the data sender.

Comment:

Example:

UNT+21+1'

Bez = Objekt-Identifizier
 Nr = current segmentnumber in Guide
 MaxWdh = maximal iteration of the Segments/Segmentgroups

St = Status
 EDIFACT: M=Muss/Mandatory, C=Conditional
 Anwendung: R=Erforderlich/Required, N=Nicht benutzt/Not used

Segments

Nr.	Bez	St	MaxWdh	Level	Name
23	UNZ	M	1	0	INTERCHANGE TRAILER Final segment of transmission file, terminates a transfer file and checks it for completeness

		Standard	Implementation			
Bez	Name	St	Format	St	Format	Anwendung / Bemerkung
UNZ						
0036	Interchange control count	M	n..6	M	n..6	Number of messages in a transmission
0020	Interchange control reference	M	an..14	M	an..14	Transmission reference number, is allocated by sender. Reference number is identical to UNB DE0020.

Comment:

The UNZ segment serves to end a transmission file and check its completeness.

Example:

UNZ+1+03919 '

Bez = Objekt-Identifizier
 Nr = current segmentnumber in Guide
 MaxWdh = maximal iteration of the Segments/Segmentgroups

St = Status
 EDIFACT: M=Muss/Mandatory, C=Conditional
 Anwendung: R=Erforderlich/Required, N=Nicht benutzt/Not used

Impressum

Thomas Sieck

VOLKSWAGEN AG
ITP LOGISTIK
EDI-KOORDINATION
KONZERN UND MARKE VOLKSWAGEN

Brieffach 011/1836
38436 Wolfsburg
Telefon +49 5361 941817
Email thomas.sieck@volkswagen.de