

VOLKSWAGEN

AKTIENGESELLSCHAFT

Volkswagen VDA 4984 T2 - GLOBAL DELFOR

Message Implementation Guideline

Version:	VDA 1.1-VW 1.6
Basic:	UN D.04A S3
Publishing:	30.11.2017
Author:	Th. Sieck/Volkswagen

Table of Contents

Introduction..... 3

Changelog..... 5

Message Type..... 9

Branching Diagram 11

Segment Details 16

Sample Message..... 68

Introduction

1. Aim

This user manual describes the specific characteristics of VDA Recommendation 4984 VOLKSWAGEN. In the following, the word *VOLKSWAGEN* refers to all as yet participating companies in the Volkswagen Group.

In the Volkswagen version 1.6 the specific requirements of Porsche AG have been added to this user manual. The transmission of the EDI message will be carried out by Porsche. The specific Porsche regulations do not apply, however, for deliveries to Porsche Osnabrück. For this plant still apply all general regulations of VOLKSWAGEN.

The user manual describes the processes as currently used in the Volkswagen Group. All key elements of the VDA 4984 are documented in this user manual. Segments and data elements not currently in use at VOLKSWAGEN are marked as "NOT USED". However, VOLKSWAGEN retains the right to commence use of previously unused elements of VDA 4984 if necessary in future. Implementation should therefore take account of the full scope of the VDA recommendation.

2. Processes

VDA 4984 covers the current system of business processes for production materials and Genuine Parts.

- Delivery instructions/call-offs (Lieferabrufe)
- Daily delivery call-offs (Feinabrufe)
- NLK delivery pre-advice
- Delivery instructions (Lieferabrufe) as a preview of gross demand for sequence call-offs
- Daily delivery call-offs (Feinabrufe) as a preview of gross demand for sequence call-offs

The messages are always sent with the same virtual data names like DUC.KEYXYZ.VDA4984.VW for each brand or local company. The underlying logistics process is sent in the BGM segment with a code name, e.g. "LAB" for conventional delivery instructions.

3. Area of application

This recommendation applies to all participating VOLKSWAGEN and sites as well as Porsche AG. The OFTP parameter overview shows specifically which individual brands and sites are involved in each message.

As of the introduction of VDA 4984, these will all be brands and sites which to date had always sent their delivery instructions centrally via Wolfsburg (RVS station KEY).

Efforts are however being made to ensure that all sites worldwide change over to working as per this user manual.

Until further notice, exceptions include companies and brands new to the Volkswagen Group such as MAN and SCANIA.

4. References

The current version of this user manual and more information about EDI at VOLKSWAGEN

http://www.vwgroupsupply.com/one-kbp-pub/de/kbp_public/information/electronic_data_interchange/electronic_data_interchange.html

Current version of the VDA recommendation

<https://www.vda.de/en/association/organization/organization-committees/working-group-ict-and-edi/ict-and-edi-recommendations.html>

Global DELFOR

<http://www.odette.org/publications>

1 Changelog

SG	Se	No. DE		Date	Version	Description
Scheduling data SG18	SCC	045		25016-06-13	1.5	Example "BGM+236:::AV+231234+9' = NLK Delivery pre-advice DTM+4 = Pick-up date SCC+4" in English version corrected. Correct is"... DTM+10..."
Scheduling data SG18	SCC	045		2017-07-12	1.6	Examples for Porsche AG added
Cumulative quantity rec SG16	QTY	035		2017-07-12	1.6	Comment for Porsche AG added: "The cumulative quantity received is always transmitted"
Scheduled Article Detail SG12	LOC	024	3227	2017-07-12	1.6	Location function code qualifier 159 Porsche AG: Code 7 added
Ship to SG7	LOC	016	3224	2017-07-12	1.6	Location name DE 3224 added for call-offs of Porsche AG!
Ship to level SG6	GEI	014	7365	2017-07-12	1.6	Processing indicator description code 37 Code 36 added. It is only used for daily call-offs of Porsche AG.
Seller / Supplier SG2	NAD	010		2017-07-11	1.6	VDA remark deleted Seller: The party who has liability to fulfill the contract. It is often used in the sense of seller and supplier and ship-from.
	BGM	004	1000	2017-07-11	1.6	Process indicator Process tag LAB-AD deleted
	BGM	004		2017-07-11	1.6	Examples for Porsche AG added
	BGM	004	1000	2017-03-27	1.6	Process indicator Process references of Porsche AG added: PAG-LAB-S, PAG-LAB-ET, PAG-F
	UNB	002	0008	2017-03-27	1.5	System reference System reference of Porsche AG added: PL1, PL2, PT1
Cumulative quantity rec SG16	QTY	039	6063	2016-11-04	1.5	Quantity type code qualifier 72 Description for code 70 deleted.
Ship to SG7	LOC	017	3225	2016-10-21	1.5	Location name code Status O > R
Ship to SG7	LOC	017		2016-10-21	1.5	Status O > R
Ship to SG7	LOC	017	3225	2016-08-15	1.5	Location name code Format = an..3 added
	UNH	003	0057	2016-06-20	1.5	Association assigned code GAVB11 GAVB10 deleted, GAVB11 added.
Cumulative quantity rec SG16	DTM	040	2380	2015-09-02	1.4	Date or time or period text Remark VDA 4915 deleted: IN VDA 4915 kein entsprechendes Datum definiert; es wird das Nachrichtendatum gemappt, das sollte ja auch den Stand der EFZ abbilden. Link moved from 551_07 to 551_08
Cumulative quantity rec SG16	DTM	036	2380	2015-09-02	1.4	Date or time or period text Remark VDA 4915 deleted: IN VDA 4915 kein entsprechendes Datum definiert; es wird das Nachrichtendatum gemappt, das sollte ja auch den Stand der EFZ abbilden. Link moved from 551_07 to 551_08
Additional Party ID (DU)				2015-07-09	1.5	Reference identifier Format n9 added

1 Changelog

SG	Se	No. DE		Date	Version	Description
SG3	RFF	013 1154				
	BGM	004 1001	Document name code 241	2015-04-08	1.4	A message qualified with Code 242 is preceded by a message with Code 241 (old: was 240).
	UNB	002 0008	System reference	2015-02-26	1.4	Added: A6P206, AHM, A-MAT, ANNA, AP9200, BESI, BY, CKP400, KS, KS-ET, KT-BS, LMPCLNT100, MPF203, NAPCLNT100, SE1CLNT300, SK1014, SLP070, TEVON, VPPCLNT100, VWMP
	UNB	002 0008	System reference	2015-02-26	1.4	Deleted: BESI-HT, ET-2000, KARIN, KOMPASS-AU, KOMPASS-GY, KS-WEBEDI, KT-BS, OPAL-GY, ProCKD-AR, ProCKD-AU, ProCKD-CS, ProCKD-IN, ProCKD-VW, SAP-A, SAP-BY, SAP-IS, SAP-LA, SAP-SE, SAP-VWMP, TEVON-HAN, TEVON-WOB, UNIT-IN, UNIT-MM, UNIT-MX, UNIT-PAOS, UNIT-RU, UNIT-US, UNIT-VWOS, VWSA-WEBEDI
	UNB	002 0008	System reference	2015-01-27	1.4	Remark "Address of an application or internal system at sender's site to which answer messages should be routed." deleted
Most recent arrival(s) of				2014-08-19	1.3	Wareneingangsdatum/Good receipt date added
SG16	DTM	042				
	BGM	004 1004	Document identifier	2014-08-19	1.3	Volkswagen specific description added
	UNB	002 0020	Interchange control reference	2014-08-19	1.3	Volkswagen specific description added
Scheduling data				2014-07-04	1.3	Code 1 deleted.
SG18	SCC	045 4017	Delivery plan commitment level code 24			
Scheduling data				2014-07-04	1.3	Remark "The following combinations BGM DE 1001 and DE 1000 are possible...." changed, Code 1 deleted in 4017.
SG18	SCC	045				
Cumulative quantity rec				2014-07-01	1.3	Remark added: QTY+72 is transmitted only with BGM+241::: LAB-ED+231234+9', BGM+242::: FAB-ED+231234+9' and BGM+236:::AV+231234+9'.
SG16	QTY	039				
Cumulative quantity ord				2014-07-01	1.3	Remark changed: QTY+71 is transmitted only with BGM+236::: LAB-ML+231234+9' = Gross demands JIS --> QTY+71 is transmitted only with BGM+236::: LAB-ML/FAB-ML+231234+9' = Gross demands JIS.
SG16	QTY	037				
Cumulative quantity rec				2014-07-01	1.3	Remark added: QTY+70 is transmitted only with BGM+241::: LAB-ED+231234+9', BGM+242::: FAB-ED+231234+9' and BGM+236:::AV+231234+9'.
SG16	QTY	035				
Delivery instruction num				2014-07-01	1.3	Remark deleted: Mindestens die Lieferplannummer und die Bestellnummer /
SG13	RFF	030 1153	Reference code qualifier AIF			

1 Changelog

SG	Se	No. DE	Date	Version	Description
					Rahmenvertragsnummer müssen angegeben werden.
Delivery instruction num SG13	RFF	030	2014-07-01	1.3	Remark deleted: Mindestens die Lieferplannummer und die Bestellnummer / Rahmenvertragsnummer müssen angegeben werden.
Delivery instruction num SG13	RFF	028 1153	2014-07-01	1.3	Remark deleted: AAN = current delivery instruction number AIF = previous delivery instruction number ON = order number / frame contract numbe
		AAN			
Delivery instruction num SG13	RFF	028	2014-07-01	1.3	Remark deleted: Mindestens die Lieferplannummer und die Bestellnummer / Rahmenvertragsnummer müssen angegeben werden.
Order number SG13	RFF	027	2014-07-01	1.3	Remark deleted: Mindestens die Lieferplannummer und die Bestellnummer / Rahmenvertragsnummer müssen angegeben werden.
Order number SG13	RFF	027	2014-07-01	1.3	Remark deleted: For Gross Demands in the JIS process (BGM+236:::LAB-ML+231234+9' and und BGM+236:::FAB-ML+231234+9') there is order number available. For theses processes the place holder value "NOT AVAILABLE" is transmitted.
	DTM	006	2014-07-01	1.3	Status O --> R
	BGM	004 1001	2014-069-23	1.3	Sample: code "240" replaced by "241"
	BGM	004 1001	2014-069-23	1.3	Code 240 deleted
	BGM	004 1000	2014-05-12	1.2	Prozesskennzeichen an VDA 4987 angepaßt, Namen erweitert.
Scheduling data SG18	SCC	045 4017	2014-01-14	1.3	Code 1 added.
		24			
Ship from SG2	NAD	012 3055	2014-01-07	1.3	Code 16 gelöscht
		92			
Ship from SG2	NAD	012 3055	2014-01-07	1.3	Status O --> R
		92			
Ship from SG2	NAD	012	2014-01-07	1.3	Status O --> R
	UNB	002 0008	2013-11-15	1.2	Description added
Ship to SG7	LOC	017 3224	2013-10-24	1.2	Description on address composition added
Scheduled Article Detail SG12	IMD	023 7009	2013-10-02	1.2	Code descriptions updated
		11			
Scheduling data SG18	SCC	045	2013-10-01	1.3	Examples updated

1 Changelog

SG	Se	No.	DE	Date	Version	Description	
Last received delivery n							
SG17	RFF	043		2013-10-01	1.3	Examples updated	
Cumulative quantity ord							
SG16	QTY	037		2013-10-01	1.3	Examples updated	
Order number							
SG13	RFF	027		2013-10-01	1.3	Examples updated	
	BGM	004	1000	Process indicator	2013-10-01	1.2	Process names changed, new: LAB-AD (planned)
	BGM	004	1001	Document name code	2013-10-01	1.2	Code 241 added
			241				
	BGM	004			2013-10-01	1.2	Examples changed and new example LAB-AD added
Scheduling data							
SG18	SCC	045		2013-09-04	1.1	Example for some SCC segments corrected or added. Old: SCC+10, new: SCC+4	

2 Message Type

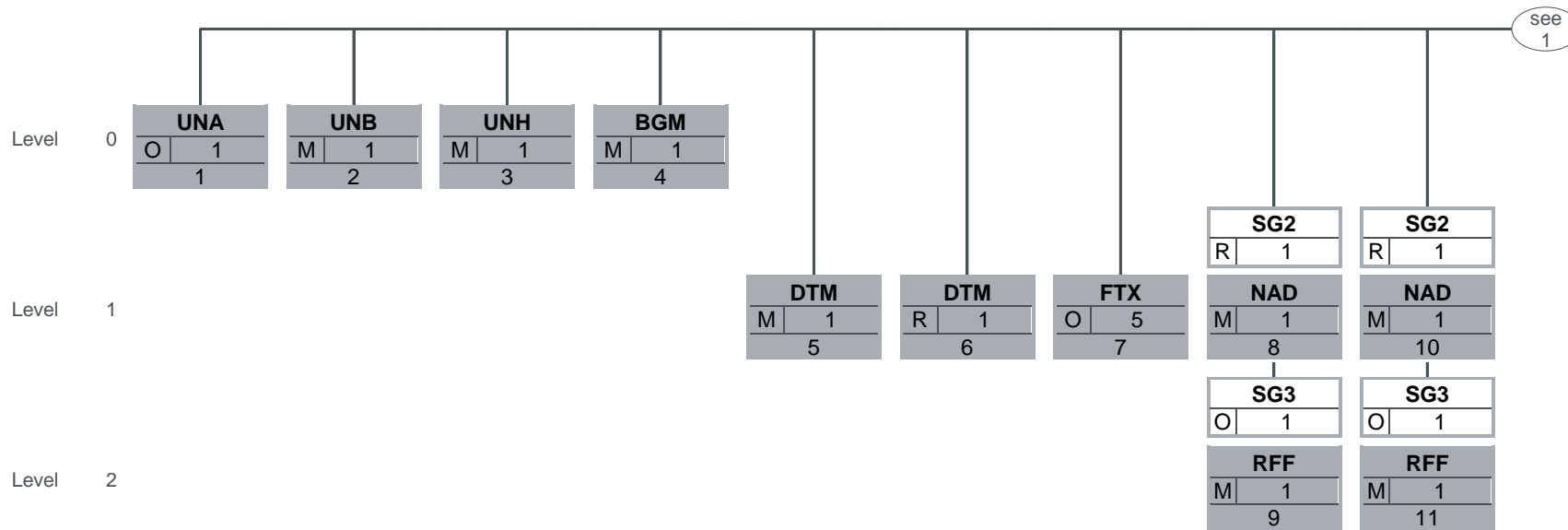
Tag	No	St	MaxOcc	Name
UNA	1	O	1	Service string advice
UNB	2	M	1	Interchange header
UNH	3	M	1	Message header
BGM	4	M	1	Beginning of message
DTM	5	M	1	Document Issue Date
DTM	6	R	1	Type of instruction
FTX	7	O	5	Information Text
SG2		R	1	
NAD	8	M	1	Buyer's Name and Address
SG3		O	1	
RFF	9	M	1	DUNS no.
SG2		R	1	
NAD	10	M	1	Seller's Name and Address
SG3		O	1	
RFF	11	M	1	DUNS number
SG2		O	1	
NAD	12	M	1	Ship from's Name and Address
SG3		O	1	
RFF	13	M	1	Reference
SG6		R	9999	
GEI	14	M	1	Processing information
SG7		R	1	
NAD	15	M	1	Ship to
LOC	16	R	1	Unloading point
LOC	17	R	1	Place of discharge
LOC	18	O	1	Point of transfer between shipment steps
FTX	19	O	5	General Information Text
SG8		O	1	
RFF	20	M	1	DUNS number
SG12		R	9999	
LIN	21	M	1	Article number assigned by the buyer.
PIA	22	O	1	Articel number assigned by the seller
IMD	23	O	10	Item short description
LOC	24	O	1	Consumption point
FTX	25	O	5	Article text
FTX	26	O	5	General information text
SG13		R	1	
RFF	27	M	1	Order number
SG13		R	1	
RFF	28	M	1	Delivery instruction number new
DTM	29	O	1	Delivery instruction date
SG13		R	1	
RFF	30	M	1	Delivery instruction number old
DTM	31	O	1	Delivery instruction date

This message structure described. A documented Segment/Segmentgroup shouldn't have to be assigned always. In contrast to the EDIFACT- Message layout chart the different Segment-version will be displayed explicitly.

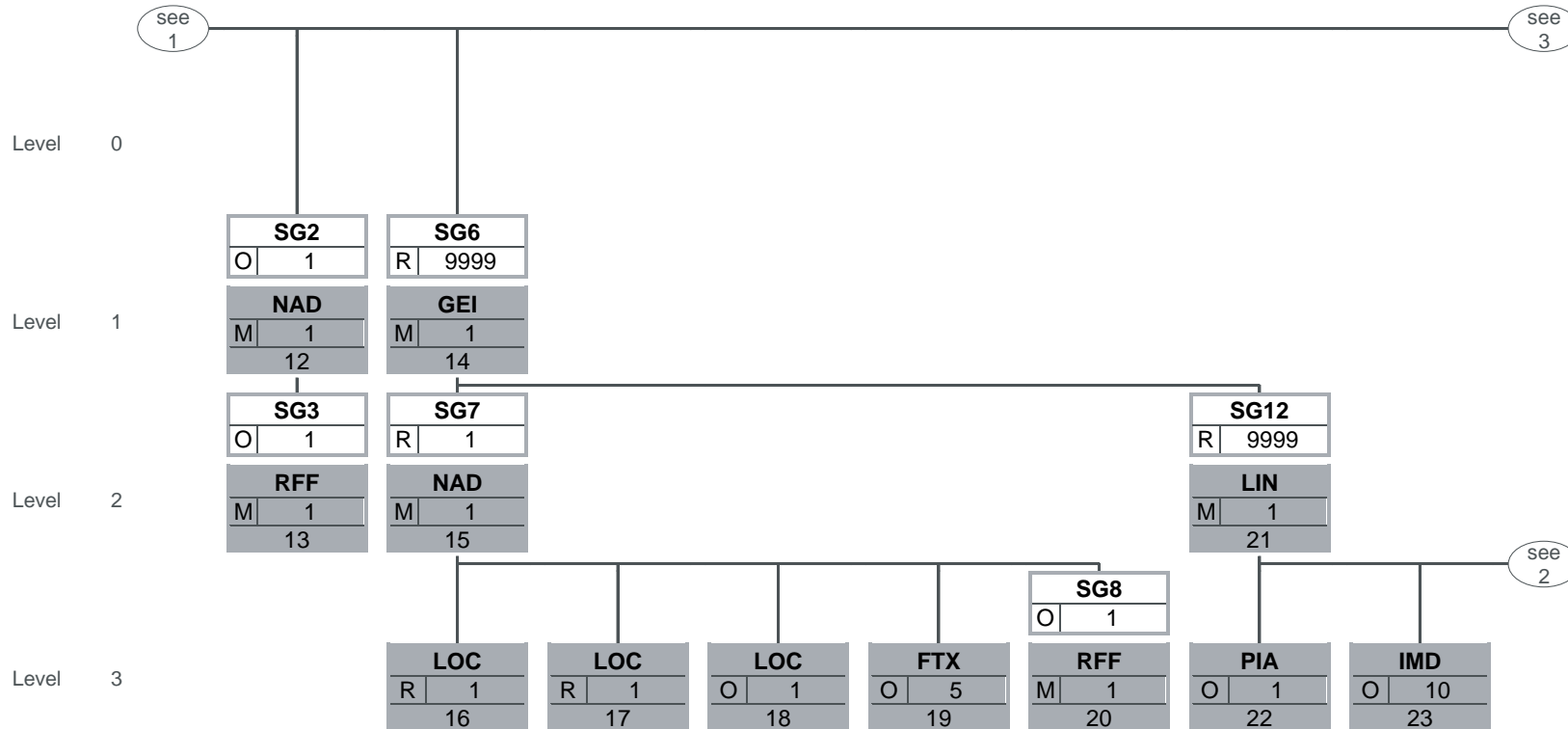
Tag	No	St	MaxOcc	Name
SG14		O	1	
CTA	32	M	1	Contact information
COM	33	O	5	Communication contact
SG16		O	1	
QTY	34	M	1	Delivery balance quantity
SG16		O	1	
QTY	35	M	1	Cumulative quantity received
DTM	36	O	2	Cumulative quantity date(s)
SG16		O	1	
QTY	37	M	1	Cumulative quantity ordered JIS
DTM	38	O	2	Cumulative quantity date for Gross demand
SG16		O	1	
QTY	39	M	1	Cumulative quantity received at the end of the previous period (set back to zero)
DTM	40	O	2	Cumulative quantity date until set back to zero
SG16		O	3	
QTY	41	M	1	The most recent arrival(s) of goods
DTM	42	C	2	Date/time/period
SG17		O	1	
RFF	43	M	1	Last received delivery note number
DTM	44	O	1	Delivery note date
SG18		D	999	
SCC	45	M	1	Scheduling data
SG19		R	999	
QTY	46	M	1	Quantity
DTM	47	R	2	Scheduled date(s)
UNT	48	M	1	Message trailer
UNZ	49	M	1	Interchange trailer

This message structure described. A documented Segment/Segmentgroup shouldn't have to be assigned always. In contrast to the EDIFACT- Message layout chart the different Segment-version will be displayed explicitly.

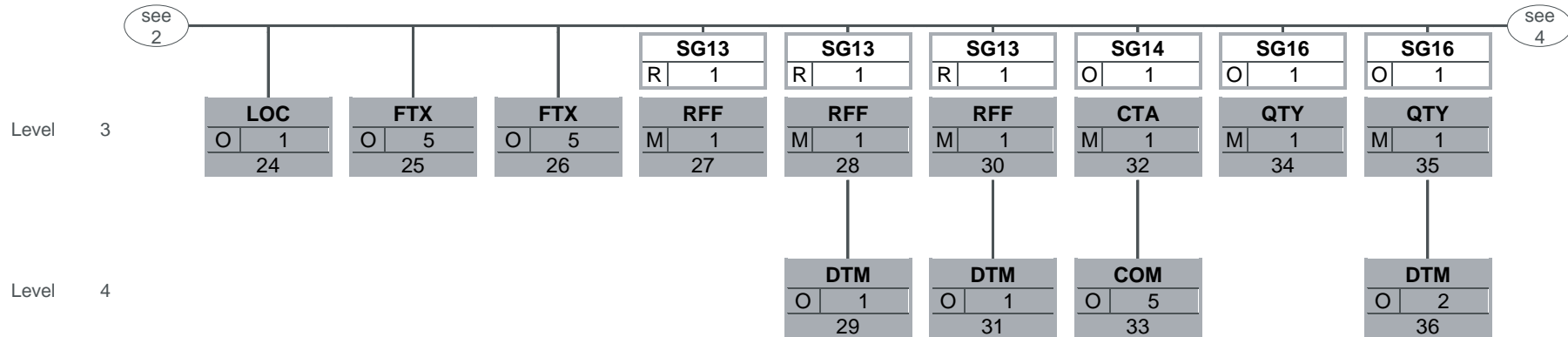
3 Branching Diagram



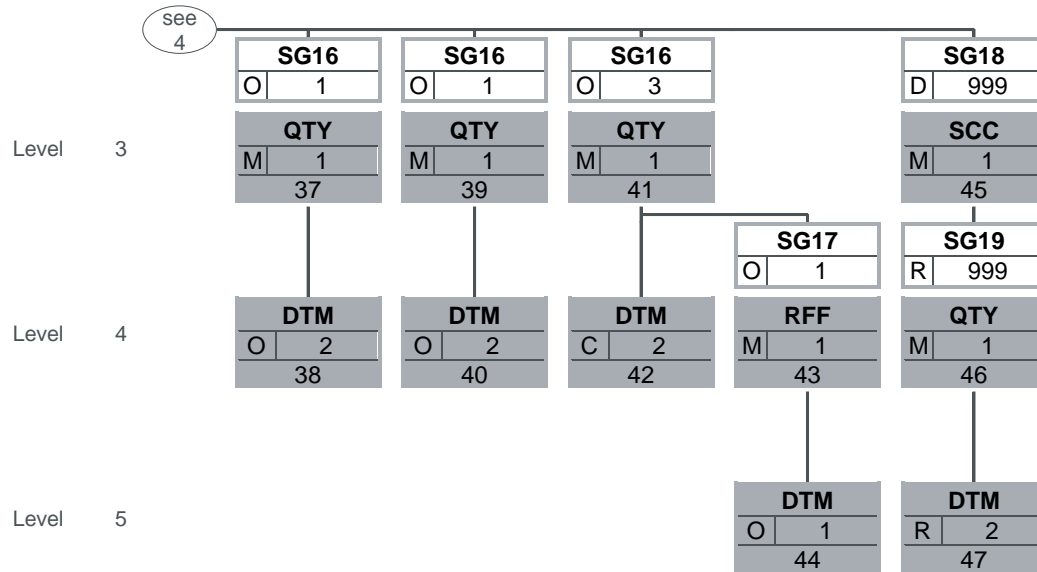
This message structure described. A documented Segment/Segmentgroup shouldn't have to be assigned always.
 In contrast to the EDIFACT- Message layout chart the different Segment-version will be displayed explicitly.



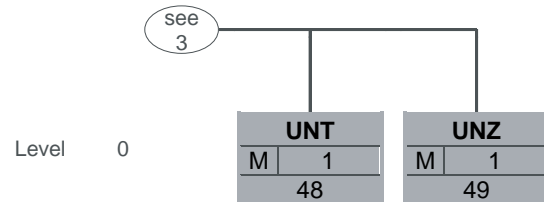
This message structure described. A documented Segment/Segmentgroup shouldn't have to be assigned always. In contrast to the EDIFACT- Message layout chart the different Segment-version will be displayed explicitly.



This message structure described. A documented Segment/Segmentgroup shouldn't have to be assigned always.
 In contrast to the EDIFACT- Message layout chart the different Segment-version will be displayed explicitly.



This message structure described. A documented Segment/Segmentgroup shouldn't have to be assigned always. In contrast to the EDIFACT- Message layout chart the different Segment-version will be displayed explicitly.



This message structure described. A documented Segment/Segmentgroup shouldn't have to be assigned always.
 In contrast to the EDIFACT- Message layout chart the different Segment-version will be displayed explicitly.

4 Segment Details

No	Tag	St	MaxOcc	Level	Name
1	UNA	O	1	0	Service string advice

		Standard		Implementation		
Tag	Name	St	Format	St	Format	Usage / Remark
UNA1	Component data element separator	M	an1	M	an1	Colon
UNA2	Data element separator	M	an1	M	an1	Plus sign
UNA3	Decimal notation	M	an1	M	an1	Full stop
UNA4	Release indicator	M	an1	M	an1	Question mark
UNA5	Reserved for future use	M	an1	M	an1	Blank
UNA6	Segment terminator	M	an1	M	an1	Apostroph

Remark:

Example:

UNA:+.? '

No	Tag	St	MaxOcc	Level	Name
2	UNB	M	1	0	Interchange header

Standard			Implementation		
Tag	Name	St Format	St Format	Usage / Remark	
S001	Syntax identifier	M	M		
0001	Syntax identifier	M a4	M a4	UNOA UN/ECE level A UNOB UN/ECE level B UNOC UN/ECE level C UNOD UN/ECE level D	
0002	Syntax version number	M n1	M n1	2 Version 2 3 Version 3	
S002	Interchange sender	M	M		
0004	Sender identification	M an..35	M an..35	Unique ID of the sender in the data transmission network or system.	
0007	Partner identification code qualifier	C an..4	O an..4		
0008	System reference	C an..14	O an..14	Original ERP system in the Volkswagen Group with which the message contents were generated. A6P206 UNIT-MM AHM OPAL-GY A-MAT SAP-A ANNA KARIN AP9200 KOMPASS-AU, KOMPASS-GY BESI ProCKD-AR, BESI-HT BY SAP-BY CKP400 ProCKD-IN, ProCKD-VW, ProCKD-AU, ProCKD-CS FOLAB FOLAB KS KS-WEBEDI KS ET ET-2000 KT-BS KT-BS LAFES LAFES LMPCLN SAP-LA T100 MPF203 UNIT-MX NAPCLN UNIT-US T100 SE1CLNT UNIT-RU, UNIT-IN 300 SK1014 SAP-IS SLP070 SAP-SE TDS TDS TEVON TEVON-HAN, TEVON-WOB VPPCLN UNIT-VWOS, UNIT-PAOS T100 VWMP SAP-VWMP PL1 Porsche Leipzig PL2 Porsche Zuffenhausen PT1 Ersatzteilwesen Porsche Sachsenheim	
S003	Interchange recipient	M	M		
0010	Recipient identification	M an..35	M an..35	Unique ID of the receiver in the data transmission network or system.	

		Standard		Implementation		
Tag	Name	St	Format	St	Format	Usage / Remark
0007	Partner identification code qualifier	C	an..4	O	an..4	
0014	Routing address	C	an..14	C	an..14	
S004	Date/time of preparation	M		M		
0017	Date of preparation	M	n6	M	n6	Format YYMMDD
0019	Time of preparation	M	n4	M	n4	Format HHMM
0020	Interchange control reference	M	an..14	M	an..14	Unique ID of an interchange. The ID is equal to BGM C106 1004 without counter
S005	Recipient's reference, password	C		N		
0022	Recipient's reference/password	M	an..14	N		Not used
0026	Application reference	C	an..14	N		Not used
0029	Processing priority code	C	a1	N		Not used
0031	Acknowledgement request	C	n1	N		Not used
0032	Communications agreement ID	C	an..35	N		Not used
0035	Test indicator	C	n1	O	n1	Only to be used, if the interchange is for test purposes. Omit this data element for valid interchanges. 1 Interchange is a test

Remark:

Example:

UNB+UNOC:3+OD012345:59:LAFES+987654321:1:X+071205:1446+144659+++++1'

No	Tag	St	MaxOcc	Level	Name
3	UNH	M	1	0	Message header

		Standard		Implementation		
Tag	Name	St	Format	St	Format	Usage / Remark
0062	Message reference number	M	an..14	M	an..14	
S009	Message identifier	M		M		
0065	Message type	M	an..6	M	an..6	DELFOR Delivery schedule message
0052	Message version number	M	an..3	M	an..3	D Draft version/UN/EDIFACT Directory
0054	Message release number	M	an..3	M	an..3	04A Release 2004 - A
0051	Controlling agency	M	an..2	M	an..2	UN UN/CEFACT
0057	Association assigned code	C	an..6	R	an..6	Identification of the subset release, assigned by the responsible organisation GAVB11 VDA DELFOR Version 1.1

Remark:

Example:

UNH+123456+DELFOR:D:04A:UN:GAVB11'

No	Tag	St	MaxOcc	Level	Name
4	BGM	M	1	0	Beginning of message

Standard			Implementation		
Tag	Name	St Format	St Format	Usage / Remark	
C002	Document/message name	C	R		
1001	Document name code	C an..3	R an..3	236 Delivery forecast 241 Delivery schedule 242 Delivery just-in-time Code 236 - message contains only forecasting figures Code 241 - message contains forecasting and firm figures (combination of firm instructions and forecasting figures) Code 242 - message contains daily call-off data in the near future (5..max. 18 days) If a message is qualified as forecast, it serves solely as non-binding forecast information. There is NO purchase commitment connected to such message. A message qualified with 242 must always be preceded by a message qualified with 241.	
1131	Code list identification code	C an..17	N	Not used	
3055	Code list responsible agency code	C an..3	O an..3	Code specifying the agency responsible for a code list. 6 UN/ECE (United Nations - Economic Commission for Europe)	
1000	Process indicator	C an..35	R an..35	In the DE 1000 the reference to the according delivery process is transmitted. Currently the following code/processes are used. AV NLK Delivery Pre-Advice (VDA 4905 - usage code = U /EDIFACT DELFOR as AV) FAB-ED Daily call-off with delivery date (VDA 4915 - usage code = S / EDIFACT DELFOR as FAB) FAB-ML Daily call-off gross demands JIS (VDA 4915 - usage code = X) LAB-ED Delivery call-off with delivery date (VDA 4905 - usage code = S / EDIFACT DELFOR as LAB) LAB-ML Gross demands JIS (VDA 4905 ML - usage code = X/EDIFACT DELFOR ML) PAG- Porsche delivery pre-advice or LAB-S delivery call-off series. Whether a daily delivery call-off follows is triggered in the SCC segment. PAG- Porsche delivery call-off spare LAB-ET parts. Delivery is always according call-off. PAG-FAB Porsche daily delivery call-off.	
C106	Document/message identification	C	R		
1004	Document identifier	C an..35	R an..35	Unique identifier of a document. Synonym: document number	

		Standard		Implementation		
Tag	Name	St	Format	St	Format	Usage / Remark
						Number from UNB 0020 enlarged by a counter of messages in the interchange. Each interchange restarts with "1". Example: UNB 1000 = BGM 1000n = 10001
1225	Message function code	C	an..3	O	an..3	Code indicating the function of the document. 9 Original

Remark:

The following combinations BGM DE 1001 and DE 1000 are possible.

BGM+241:::LAB-ED+231234+9' = Delivery instruction - DTM+2 = Delivery date

BGM+242:::FAB-ED+231234+9' = Daily call-off - DTM+2 = Delivery date

BGM+236:::LAB-ML+231234+9' = Gross demand for JIS - DTM+2 = Delivery date

BGM+236:::FAB-ML+231234+9' = Gross demand for JIS as Daily call-off - DTM+2 = Delivery date

BGM+236:::AV+231234+9' = NLK Delivery pre-advice - DTM+10 = Pick-up date

BGM+241:::LAB-AD+231234+9' = Call-off with - DTM+10 = pick-up dates

Only Porsche AG

BGM+241:::PAG-LAB-S+231234+9' = Lieferabruf - DTM+2 = Delivery date

BGM+241:::PAG-LAB-ET+231234+9' = Lieferabruf - DTM+2 = Delivery date

BGM+242:::PAG-FAB+231234+9' = Feinabruf - DTM+2 = Delivery date

Example:

BGM+241:::LAB-ED+1446591+9'

No	Tag	St	MaxOcc	Level	Name
5	DTM	M	1	1	Document Issue Date

		Standard		Implementation		
Tag	Name	St	Format	St	Format	Usage / Remark
C507	Date/time/period	M		M		
2005	Date or time or period function code qualifier	M	an..3	M	an..3	137 Document issue date time
2380	Date or time or period text	C	an..35	R	an..35	Date on which a document or business signal was issued.
2379	Date or time or period format code	C	an..3	O	an..3	102 CCYMMDD 203 CCYMMDDHHMM

Remark:

Example:

DTM+137:20140523:102'

No	Tag	St	MaxOcc	Level	Name
6	DTM	R	1	1	Type of instruction

		Standard		Implementation		
Tag	Name	St	Format	St	Format	Usage / Remark
C507	Date/time/period	M		M		
2005	Date or time or period function code qualifier	M	an..3	M	an..3	<p>2 Delivery date/time, requested</p> <p>10 Shipment date/time, requested</p> <p>Code 2 indicates that all dates in this delivery instruction are delivery dates (goods arriving at destination)</p> <p>Code 10 indicates that all dates in this delivery instruction are shipping- (pick-up) dates.</p> <p>The subsequent DTM segments in the delivery schedules (SG 18) must be qualified accordingly.</p>

Remark:

Example:

DTM+2'

No	Tag	St	MaxOcc	Level	Name
7	FTX	O	5	1	Information Text

		Standard		Implementation		
Tag	Name	St	Format	St	Format	Usage / Remark
4451	Text subject code qualifier	M	an..3	M	an..3	AAI General information
4453	Free text function code	C	an..3	N		Not used
C107	Text reference	C		N		
4441	Free text description code	M	an..17	N		Not used
C108	Text literal	C		R		
4440	Free text	M	an..512	M	an..256	A line of plain, non-structured text information.
4440	Free text	C	an..512	O	an..256	see 4440#1
4440	Free text	C	an..512	O	an..256	see 4440#1
4440	Free text	C	an..512	O	an..256	see 4440#1
4440	Free text	C	an..512	O	an..256	see 4440#1
3453	Language name code	C	an..3	O	an..3	Code specifying the language name. Use ISO 639-1988.

Remark:

General information text

Example:

FTX+AAI+++Legal Notice'

No	Tag	St	MaxOcc	Level	Name
	SG2	R	1	1	Buyer / Customer
8	NAD	M	1	1	Buyer's Name and Address

Standard			Implementation			
Tag	Name	St	Format	St	Format	Usage / Remark
3035	Party function code qualifier	M	an..3	M	an..3	BY Buyer
C082	Party identification details	C		R		
3039	Party identifier	M	an..35	M	an..35	Unique identification of a party by an ID. Two variants are possible. - The customer reference number assigned by a seller to Volkswagen Group company or location. - A placeholder for the individual branch or location: Example: VW, VWGoA, Audi etc.
1131	Code list identification code	C	an..17	N		Not used
3055	Code list responsible agency code	C	an..3	R	an..3	Code specifying the agency responsible for a code list. 91 Assigned by seller or seller's agent 92 Assigned by buyer or buyer's agent
C058	Name and address	C		N		
3124	Name and address description	M	an..35	M	an..35	
C080	Party name	C		O		
3036	Party name	M	an..35	M	an..35	Single text line for specification of a name
3036	Party name	C	an..35	O	an..35	see 3036#1
3036	Party name	C	an..35	O	an..35	see 3036#1
3036	Party name	C	an..35	O	an..35	see 3036#1
C059	Street	C		O		
3042	Street and number or post office box identifier	M	an..35	M	an..35	The name that identifies the location of a house or building: usually within a street as part of an address.
3042	Street and number or post office box identifier	C	an..35	O	an..35	see 3042#1
3164	City name	C	an..35	O	an..35	The name of the city, town, or village of this address.
C819	Country sub-entity details	C		O		
3229	Country sub-entity name code	C	an..9	R	an..9	State or region within a country. The use of UN LoCodes is recommended.
3251	Postal identification code	C	an..17	O	an..17	The identifier for one or more properties according to the postal service of that country.
3207	Country name code	C	an..3	O	an..3	Provides the country part of an address using a code. Use ISO3166 two alpha code.

Remark:

Party to whom merchandise and/or service is sold.

Example:

NAD+BY+88012::91++Volkswagen AG::X++Wolfsburg++38444+DE'

No	Tag	St	MaxOcc	Level	Name
	SG2	R	1	1	Buyer / Customer
	SG3	O	1	2	Additional Party ID (DUNS)
9	RFF	M	1	2	DUNS no.

Standard			Implementation			
Tag	Name	St	Format	St	Format	Usage / Remark
C506	Reference	M		M		
1153	Reference code qualifier	M	an..3	M	an..3	ANK Reference number assigned by third party
1154	Reference identifier	C	an..70	R	n9	DUNS number

Remark:

Example:

RFF+ANK:995231145'

No	Tag	St	MaxOcc	Level	Name
	SG2	R	1	1	Seller / Supplier
10	NAD	M	1	1	Seller's Name and Address

Standard			Implementation			
Tag	Name	St	Format	St	Format	Usage / Remark
3035	Party function code qualifier	M	an..3	M	an..3	SE Seller
C082	Party identification details	C		R		
3039	Party identifier	M	an..35	M	an..10	Local supplier number of the supplier assigned by a VW group company.
1131	Code list identification code	C	an..17	N		Not used
3055	Code list responsible agency code	C	an..3	R	an..3	Code specifying the agency responsible for a code list. 92 Assigned by buyer or buyer's agent
C058	Name and address	C		N		
3124	Name and address description	M	an..35	N		Not used
C080	Party name	C		O		
3036	Party name	M	an..35	M	an..35	Single text line for specification of a name
3036	Party name	C	an..35	O	an..35	see 3036#1
3036	Party name	C	an..35	O	an..35	see 3036#1
3036	Party name	C	an..35	O	an..35	see 3036#1
C059	Street	C		O		
3042	Street and number or post office box identifier	M	an..35	M	an..35	The name that identifies the location of a house or building: usually within a street as part of an address.
3042	Street and number or post office box identifier	C	an..35	O	an..35	see 3042#1
3164	City name	C	an..35	O	an..35	The name of the city, town, or village of this address.
C819	Country sub-entity details	C		O		
3229	Country sub-entity name code	C	an..9	R	an..9	State or region within a country. The use of UN LoCodes is recommended.
3251	Postal identification code	C	an..17	O	an..17	The identifier for one or more properties according to the postal service of that country; a group of letters and/or numbers added to the postal address to assist in the sorting of mail.
3207	Country name code	C	an..3	O	an..3	Provides the country part of an address using a code. Use ISO3166 two alpha code.

Remark:

Example:

NAD+SE+0000128317::92++Auto Parts GmbH+Vorm Anger 3+Augsburg++86150+DE'

No	Tag	St	MaxOcc	Level	Name
	SG2	R	1	1	Seller / Supplier
	SG3	O	1	2	DUNS number
11	RFF	M	1	2	DUNS number

Standard			Implementation			
Tag	Name	St	Format	St	Format	Usage / Remark
C506	Reference	M		M		
1153	Reference code qualifier	M	an..3	M	an..3	ANK Reference number assigned by third party
1154	Reference identifier	C	an..70	R	n9	DUNS number

Remark:

Example:

RFF+ANK:963852258'

No	Tag	St	MaxOcc	Level	Name
	SG2	O	1	1	Ship from
12	NAD	M	1	1	Ship from's Name and Address

Standard			Implementation			
Tag	Name	St	Format	St	Format	Usage / Remark
3035	Party function code qualifier	M	an..3	M	an..3	SF Ship from
C082	Party identification details	C		R		
3039	Party identifier	M	an..35	M	an..35	Unique identification of a party by an ID.
1131	Code list identification code	C	an..17	N		Not used
3055	Code list responsible agency code	C	an..3	R	an..3	Code specifying the agency responsible for a code list. 91 Assigned by seller or seller's agent 92 Assigned by buyer or buyer's agent
C058	Name and address	C		N		
3124	Name and address description	M	an..35	N		Not used
C080	Party name	C		O		
3036	Party name	M	an..35	M	an..35	Single text line for specification of a name
3036	Party name	C	an..35	O	an..35	see 3036#1
3036	Party name	C	an..35	O	an..35	see 3036#1
3036	Party name	C	an..35	O	an..35	see 3036#1
C059	Street	C		O		
3042	Street and number or post office box identifier	M	an..35	M	an..35	The name that identifies the location of a house or building: usually within a street as part of an address.
3042	Street and number or post office box identifier	C	an..35	O	an..35	see 3042#1
3164	City name	C	an..35	O	an..35	The name of the city, town, or village of this address.
C819	Country sub-entity details	C		O		
3229	Country sub-entity name code	C	an..9	R	an..9	State or region within a country. The use of UN LoCodes is recommended.
3251	Postal identification code	C	an..17	O	an..17	The identifier for one or more properties according to the postal service of that country.
3207	Country name code	C	an..3	O	an..3	Provides the country part of an address using a code. Use ISO3166 two alpha code.

Remark:

The party which consigns or sends goods.

Example:

NAD+SF+0000128317::92++Auto Parts GmbH:X::X+Am Anger 3:X+Augsburg++86150+DE'

No	Tag	St	MaxOcc	Level	Name
	SG2	O	1	1	Ship from
	SG3	O	1	2	Additional Party ID (DUNS)
13	RFF	M	1	2	Reference

Standard			Implementation			
Tag	Name	St	Format	St	Format	Usage / Remark
C506	Reference	M		M		
1153	Reference code qualifier	M	an..3	M	an..3	ANK Reference number assigned by third party
1154	Reference identifier	C	an..70	R	n9	DUNS number

Remark:

This segment can be used to transmit the DUNS number in addition to the customer number or the supplier number-

Example:

RFF+ANK:963852258'

No	Tag	St	MaxOcc	Level	Name
	SG6	R	9999	1	Ship to level
14	GEI	M	1	1	Processing information

Standard			Implementation			
Tag	Name	St	Format	St	Format	Usage / Remark
9649	Processing information code qualifier	M	an..3	M	an..3	3 Scheduling type information
C012	Processing indicator	C		R		
7365	Processing indicator description code	C	an..3	R	an..3	For Daily Delivery Call-offs the according period of the Delivery instruction/Call-off is overwritten. Nur für Feinabrufe der Porsche AG! 36=Nur die Daten im Horizont werden überschrieben (nur zulässig für FAB-Verfahren) 37 Complete information The delivery instruction data replace all previously sent information completely (applicable for forecast and delivery instruction process - LAB) Only for daily call-offs of Porsche AG! 36=Only the data within the horizon (effective from - effective to date) are replaced (only applicable for the FAB process) 36 Changed information

Remark:

This level gives the delivery instruction details (schedule dates, scheduled quantities etc.) for one individual ship-to party e.g. a plant in a delivery instruction or forecast.

The VDA recommendation is based on the following principles:

1. A new delivery instruction (DE 1001 in BGM contains code 236, 240 or 241) replaces all data of the previous delivery instruction.
2. A call-off delivery instruction (DE 1001 in BGM contains code 242) replaces the data for the effective period (effective from .. effective to date), all other data of the delivery instruction remain valid.
3. A separate deliver instruction has to be generated as soon as on of the following parameter changes:
 - a) the ship to party
 - b) the place of discharge
 - c) the order number (frame contract)
 - d) the article/part number

Consequently according to this logic a new SG6 with the trigger segment GEI must be generated as soon as the ship to or place of discharge (always transmitted at ship to level in SG7) changes. If one of the other parameters changes, an new SG12 with the trigger segment LIN is sufficient.

Example:

GEI+3+37'

No	Tag	St	MaxOcc	Level	Name
	SG6	R	9999	1	Ship to level
	SG7	R	1	2	Ship to
15	NAD	M	1	2	Ship to

Standard			Implementation		
Tag	Name	St Format	St Format	Usage / Remark	
3035	Party function code qualifier	M an..3	M an..3	ST Ship to	
C082	Party identification details	C	R		
3039	Party identifier	M an..35	M an..3	Plant number	
1131	Code list identification code	C an..17	N	Not used	
3055	Code list responsible agency code	C an..3	R an..3	Code specifying the agency responsible for a code list. 92 Assigned by buyer or buyer's agent	
C058	Name and address	C	C		
3124	Name and address description	M an..35	M an..35		
C080	Party name	C	O		
3036	Party name	M an..35	M an..35	Single text line for specification of a name	
3036	Party name	C an..35	O an..35	see 3036#1	
3036	Party name	C an..35	O an..35	see 3036#1	
3036	Party name	C an..35	O an..35	see 3036#1	
C059	Street	C	O		
3042	Street and number or post office box identifier	M an..35	M an..35	The name that identifies the location of a house or building: usually within a street as part of an address.	
3042	Street and number or post office box identifier	C an..35	O an..35	see 3042#1	
3164	City name	C an..35	O an..35	The name of the city, town, or village of this address.	
C819	Country sub-entity details	C	O		
3229	Country sub-entity name code	C an..9	R an..9	State or region within a country. The use of UN LoCodes is recommended.	
3251	Postal identification code	C an..17	O an..17	The identifier for one or more properties according to the postal service of that country.	
3207	Country name code	C an..3	O an..3	Provides the country part of an address using a code. Use ISO3166 two alpha code.	

Remark:

The party to which goods are to be shipped (consigned).

Example:

NAD+ST+11::92++Volkswagen AG Wolfsburg+Zufahrt ueber A39+Wolfsburg++38436+DE'

No	Tag	St	MaxOcc	Level	Name
	SG6	R	9999	1	Ship to level
	SG7	R	1	2	Ship to
16	LOC	R	1	3	Unloading point

Standard			Implementation		
Tag	Name	St Format	St Format	Usage / Remark	
3227	Location function code qualifier	M an..3	M an..3	11 Place of discharge	
C517	Location identification	C	R		
3225	Location name code	C an..35	O an..5		
1131	Code list identification code	C an..17	N	Not used	
3055	Code list responsible agency code	C an..3	O an..3	Code specifying the agency responsible for a code list. 92 Assigned by buyer or buyer's agent	
3224	Location name	C an..256	O an..256	Is transmitted only by Porsche AG! Name of place of discharge, other than city name.	

Remark:

Due to technical reasons and different from the rules of the VDA 4984 only an internal warehouse is transmitted. The physical place of discharge of the lorry etc. is indicated in LOC+7.

Example:

LOC+11+1AB07::92:X'

No	Tag	St	MaxOcc	Level	Name
	SG6	R	9999	1	Ship to level
	SG7	R	1	2	Ship to
17	LOC	R	1	3	Place of discharge

Standard			Implementation			
Tag	Name	St	Format	St	Format	Usage / Remark
3227	Location function code qualifier	M	an..3	M	an..3	7 Place of delivery
C517	Location identification	C		R		
3225	Location name code	C	an..35	R	an..3	Identifier / code specifying the name of a location.
1131	Code list identification code	C	an..17	N		Not used
3055	Code list responsible agency code	C	an..3	O	an..3	Code specifying the agency responsible for a code list. 92 Assigned by buyer or buyer's agent
3224	Physical unloading point of the goods.	C	an..256	O	an..256	Name of place/location, other than city name. The address of the place of discharge is transmitted as text format. The address details are by semikolons according to the following schema: Name;Street1;Street2;Urban district; ZIP;City;Country

Remark:

Due to technical reasons and different from the rules of the VDA 4984 only the actual unloading place is transmitted in LOC+7.

Example:

LOC+7+CKD::92:Halle 103; Zufahrt ueber A39; 38436 Wolfsburg; Deutschland'

No	Tag	St	MaxOcc	Level	Name
	SG6	R	9999	1	Ship to level
	SG7	R	1	2	Ship to
18	LOC	O	1	3	Point of transfer between shipment steps

Standard			Implementation			
Tag	Name	St	Format	St	Format	Usage / Remark
3227	Location function code qualifier	M	an..3	M	an..3	13 Place of transshipment
C517	Location identification	C		R		
3225	Location name code	C	an..35	O	an..35	
1131	Code list identification code	C	an..17	N		Not used
3055	Code list responsible agency code	C	an..3	N		Not used
3224	Location name	C	an..256	O	an..256	

Remark:

For shipments divided into preliminary and main shipment, this location identifies the point of transfer between these shipment steps. The date/time (requested delivery date) refers however to the final unloading point.

Example:

LOC+13+X:::X'

No	Tag	St	MaxOcc	Level	Name
	SG6	R	9999	1	Ship to level
	SG7	R	1	2	Ship to
19	FTX	O	5	3	General Information Text

Standard			Implementation		
Tag	Name	St Format	St Format	Usage / Remark	
4451	Text subject code qualifier	M an..3	M an..3	AAI General information	
4453	Free text function code	C an..3	N	Not used	
C107	Text reference	C	N		
4441	Free text description code	M an..17	N	Not used	
C108	Text literal	C	R		
4440	Free text	M an..512	M an..256	A line of plain, non-structured text information.	
4440	Free text	C an..512	O an..256	see 4440#1	
4440	Free text	C an..512	O an..256	see 4440#1	
4440	Free text	C an..512	O an..256	see 4440#1	
4440	Free text	C an..512	O an..256	see 4440#1	
3453	Language name code	C an..3	O an..3	Code specifying the language name. Use ISO 639-1988.	

Remark:

General information as free text

Example:

FTX+AAI+++Free text+DE'

No	Tag	St	MaxOcc	Level	Name
	SG6	R	9999	1	Ship to level
	SG7	R	1	2	Ship to
	SG8	O	1	3	DUNS number
20	RFF	M	1	3	DUNS number

		Standard		Implementation		
Tag	Name	St	Format	St	Format	Usage / Remark
C506	Reference	M		M		
1153	Reference code qualifier	M	an..3	M	an..3	ANK Reference number assigned by third party
1154	Reference identifier	C	an..70	R	an..9	DUNS number

Remark:

This segment can be used to transmit the DUNS number in addition to the customer number or the supplier number-

Example:

RFF+ANK:321549214'

No	Tag	St	MaxOcc	Level	Name
	SG6	R	9999	1	Ship to level
	SG12	R	9999	2	Scheduled Article Details
21	LIN	M	1	2	Article number assigned by the buyer.

		Standard		Implementation		
Tag	Name	St	Format	St	Format	Usage / Remark
1082	Line item identifier	C	an..6	O	an..6	
1229	Action request/ notification description code	C	an..3	N		Not used
C212	Item number identification	C		R		
7140	Item identifier	C	an..35	R	an..35	Part number, assigned by the buyer
7143	Item type identification code	C	an..3	R	an..3	IN Buyer's item number

Remark:

An article required by the buyer, which is scheduled to be delivered. All other segments in the detail section following the LIN segment refer to the line item.

Example:

LIN+1++ 123 HGH 1357:IN'

No	Tag	St	MaxOcc	Level	Name
	SG6	R	9999	1	Ship to level
	SG12	R	9999	2	Scheduled Article Details
22	PIA	O	1	3	Articel number assigned by the seller

Standard			Implementation			
Tag	Name	St	Format	St	Format	Usage / Remark
4347	Product identifier code qualifier	M	an..3	M	an..3	1 Additional identification
C212	Item number identification	M		M		
7140	Item identifier	C	an..35	R	an..35	Article number assigned by the seller.
7143	Item type identification code	C	an..3	R	an..3	SA Supplier's article number The listed codes are applicable also to the DE 7143 in the following repetitions of CDE C212.

Remark:

Example:

PIA+1+HZOK3:SA'

No	Tag	St	MaxOcc	Level	Name
	SG6	R	9999	1	Ship to level
	SG12	R	9999	2	Scheduled Article Details
23	IMD	O	10	3	Item short description

Standard			Implementation			
Tag	Name	St	Format	St	Format	Usage / Remark
7077	Description format code	C	an..3	O	an..3	F Free-form Code specifying the format of a description.
C272	Item characteristic	C		N		
7081	Item characteristic code	C	an..3	N		Not used
C273	Item description	C		R		
7009	Item description code	C	an..17	O	an2	Code indicating the usage (status) of an article using codes from JAI code list JAI004. 11 Production 12 Service (spare part) 13 Production and service (spare parts) 14 Try-out 15 Pilot 16 Additional requirement 17 Initial sample 18 Sample 19 Other
1131	Code list identification code	C	an..17	N		Not used
3055	Code list responsible agency code	C	an..3	O	an..3	272 Joint Automotive Industry agency
7008	Item description	C	an..256	O	an..256	The short name or description of an article or service in plain text.
7008	Item description	C	an..256	O	an..256	The short name or description of an article or service in plain text.
3453	Language name code	C	an..3	O	an..3	Code specifying the language name. Use ISO 639-1988.

Remark:

Example:

IMD+F++11::272:Außenspiegel::DE'

No	Tag	St	MaxOcc	Level	Name
	SG6	R	9999	1	Ship to level
	SG12	R	9999	2	Scheduled Article Details
24	LOC	O	1	3	Consumption point

Standard			Implementation			
Tag	Name	St	Format	St	Format	Usage / Remark
3227	Location function code qualifier	M	an..3	M	an..3	159 - Consumption point 159 Additional internal destination 7 Place of delivery Code 7 is transmitted only in call-offs of Porsche AG
C517	Location identification	C		R		
3225	Location name code	C	an..35	O	an..35	Identifier / code specifying the name of a location.
1131	Code list identification code	C	an..17	N		Not used
3055	Code list responsible agency code	C	an..3	O	an..3	Code specifying the agency responsible for a code list. 92 Assigned by buyer or buyer's agent
3224	Location name	C	an..256	O	an..256	Name of place/location, other than city name.

Remark:

The consumption point marks a specific, a part firmly assigned stock location. It is a completing information to the part number with.

Example:

LOC+159+SDA 1235::92'

No	Tag	St	MaxOcc	Level	Name
	SG6	R	9999	1	Ship to level
	SG12	R	9999	2	Scheduled Article Details
25	FTX	O	5	3	Article text

Standard			Implementation			
Tag	Name	St	Format	St	Format	Usage / Remark
4451	Text subject code qualifier	M	an..3	M	an..3	LIN Line item
4453	Free text function code	C	an..3	N		Not used
C107	Text reference	C		N		
4441	Free text description code	M	an..17	N		Not used
C108	Text literal	C		R		
4440	Free text	M	an..512	M	an..256	A line of plain, non-structured text information.
4440	Free text	C	an..512	O	an..256	see 4440#1
4440	Free text	C	an..512	O	an..256	see 4440#1
4440	Free text	C	an..512	O	an..256	see 4440#1
4440	Free text	C	an..512	O	an..256	see 4440#1
3453	Language name code	C	an..3	O	an..3	Code specifying the language name. Use ISO 639-1988.

Remark:

Example:

FTX+LIN+++Sonderlackierung+DE'

No	Tag	St	MaxOcc	Level	Name
	SG6	R	9999	1	Ship to level
	SG12	R	9999	2	Scheduled Article Details
26	FTX	O	5	3	General information text

Standard			Implementation			
Tag	Name	St	Format	St	Format	Usage / Remark
4451	Text subject code qualifier	M	an..3	M	an..3	AAI General information
4453	Free text function code	C	an..3	N		Not used
C107	Text reference	C		N		
4441	Free text description code	M	an..17	N		Not used
C108	Text literal	C		R		
4440	Free text	M	an..512	M	an..256	A line of plain, non-structured text information.
4440	Free text	C	an..512	O	an..256	see 4440#1
4440	Free text	C	an..512	O	an..256	see 4440#1
4440	Free text	C	an..512	O	an..256	see 4440#1
4440	Free text	C	an..512	O	an..256	see 4440#1
3453	Language name code	C	an..3	O	an..3	Code specifying the language name. Use ISO 639-1988.

Remark:

General information text

Example:

FTX+AAI+++Werksurlaub vom 30.06.2013 bis 21.07.2013+DE'

No	Tag	St	MaxOcc	Level	Name
	SG6	R	9999	1	Ship to level
	SG12	R	9999	2	Scheduled Article Details
	SG13	R	1	3	Order number
27	RFF	M	1	3	Order number

		Standard		Implementation		
Tag	Name	St	Format	St	Format	Usage / Remark
C506	Reference	M		M		
1153	Reference code qualifier	M	an..3	M	an..3	ON Order document identifier, buyer assigned Th order number / frame contract number is normally not the order number of the purchasing department! The order number is a key reference of the call-off. It is assigned by the ERP system.
1154	Reference identifier	C	an..70	R	an..17	

Remark:

Example:

RFF+ON:0000006'

No	Tag	St	MaxOcc	Level	Name
	SG6	R	9999	1	Ship to level
	SG12	R	9999	2	Scheduled Article Details
	SG13	R	1	3	Delivery instruction number new
28	RFF	M	1	3	Delivery instruction number new

		Standard		Implementation		
Tag	Name	St	Format	St	Format	Usage / Remark
C506	Reference	M		M		
1153	Reference code qualifier	M	an..3	M	an..3	AAN Delivery schedule number
1154	Reference identifier	C	an..70	R	an..17	Unique identifier of a document. Synonym: document number

Remark:

Example:

RFF+AAN:00000002'

No	Tag	St	MaxOcc	Level	Name
	SG6	R	9999	1	Ship to level
	SG12	R	9999	2	Scheduled Article Details
	SG13	R	1	3	Delivery instruction number new
29	DTM	O	1	4	Delivery instruction date

		Standard		Implementation		
Tag	Name	St	Format	St	Format	Usage / Remark
C507	Date/time/period	M		M		
2005	Date or time or period function code qualifier	M	an..3	M	an..3	171 Reference date/time
2380	Date or time or period text	C	an..35	R	an..35	Date on which a document or business signal was issued.
2379	Date or time or period format code	C	an..3	O	an..3	102 CCYYMMDD

Remark:

Example:

DTM+171:20040528:102'

No	Tag	St	MaxOcc	Level	Name
	SG6	R	9999	1	Ship to level
	SG12	R	9999	2	Scheduled Article Details
	SG13	R	1	3	Delivery instruction number old
30	RFF	M	1	3	Delivery instruction number old

		Standard		Implementation		
Tag	Name	St	Format	St	Format	Usage / Remark
C506	Reference	M		M		
1153	Reference code qualifier	M	an..3	M	an..3	AIF Previous delivery instruction number
1154	Reference identifier	C	an..70	R	an..17	For call-offs without a previous call-off number "000000000" is always transmitted.

Remark:

Example:

RFF+AIF:000000001'

No	Tag	St	MaxOcc	Level	Name
	SG6	R	9999	1	Ship to level
	SG12	R	9999	2	Scheduled Article Details
	SG13	R	1	3	Delivery instruction number old
31	DTM	O	1	4	Delivery instruction date

		Standard		Implementation		
Tag	Name	St	Format	St	Format	Usage / Remark
C507	Date/time/period	M		M		
2005	Date or time or period function code qualifier	M	an..3	M	an..3	171 Reference date/time
2380	Date or time or period text	C	an..35	R	an..35	Date on which a document or business signal was issued.
2379	Date or time or period format code	C	an..3	O	an..3	102 CCYYMMDD

Remark:

Example:

DTM+171:20040528:102'

No	Tag	St	MaxOcc	Level	Name
	SG6	R	9999	1	Ship to level
	SG12	R	9999	2	Scheduled Article Details
	SG14	O	1	3	Article related contact information
32	CTA	M	1	3	Contact information

		Standard		Implementation		
Tag	Name	St	Format	St	Format	Usage / Remark
3139	Contact function code	C	an..3	R	an..3	SC Disponent / Scheduling contact
C056	Department or employee details	C		R		
3413	ID of the Material planner	C	an..17	O	an..17	ID of the Material planner
3412	Name of material planner.	C	an..35	O	an..35	Name des Disponenten.

Remark:

Article related information that identifies the contact person or department responsible for the scheduling of deliveries. This contact may change from item to item and is therefore related to the scheduled article level rather than to the ship-to level.

Example:

CTA+SC+NA4FA:Franz Meier'

No	Tag	St	MaxOcc	Level	Name
	SG6	R	9999	1	Ship to level
	SG12	R	9999	2	Scheduled Article Details
	SG14	O	1	3	Article related contact information
33	COM	O	5	4	Communication contact

		Standard		Implementation		
Tag	Name	St	Format	St	Format	Usage / Remark
C076	Communication contact	M		M		
3148	Communication address identifier	M	an..512	M	an..100	Telephone number, fax number or email address
3155	Communication address code qualifier	M	an..3	M	an..3	EM Electronic mail FX Telefax TE Telephone

Remark:

Example:

COM+?+49-5361-933000:TE'

No	Tag	St	MaxOcc	Level	Name
	SG6	R	9999	1	Ship to level
	SG12	R	9999	2	Scheduled Article Details
	SG16	O	1	3	Delivery balance
34	QTY	M	1	3	Delivery balance quantity

Standard			Implementation			
Tag	Name	St	Format	St	Format	Usage / Remark
C186	Quantity details	M		M		
6063	Quantity type code qualifier	M	an..3	M	an..3	83 Rückstand / Backorder
6060	Quantity	M	an..35	M	n..15	Difference between quantity scheduled and quantity received. For positive values, the quantity scheduled is greater than the quantity received i.e. there is a backorder quantity. Example: ordered quantity 5000 pieces, delivered 4500 pieces => 500 pieces backorder quantity QTY+83:500:PCE'
6411	Measurement unit code	C	an..8	O	an..8	Code specifying the unit of measurement, use UN/ECE Recommendation 20, Common code. C62 one KGM kilogram KMT kilometre LTR litre MTK square metre MTQ cubic metre MTR metre PCE piece SET set TNE tonne (metric ton) PCE and C62 are ynonymous for piece

Remark:

Example:

QTY+83:5000:PCE'

No	Tag	St	MaxOcc	Level	Name
	SG6	R	9999	1	Ship to level
	SG12	R	9999	2	Scheduled Article Details
	SG16	O	1	3	Cumulative quantity received
35	QTY	M	1	3	Cumulative quantity received

Standard			Implementation			
Tag	Name	St	Format	St	Format	Usage / Remark
C186	Quantity details	M		M		
6063	Quantity type code qualifier	M	an..3	M	an..3	Code 70 - cumulative quantity received (taking into account the last received shipments) = German abbreviation EFZ 70 Cumulative quantity received
6060	Quantity	M	an..35	R	n..15	Cumulative quantity
6411	Measurement unit code	C	an..8	O	an..8	Code specifying the unit of measurement, use UN/ECE Recommendation 20, Common code. C62 one PCE piece SET set MTR metre MTK square metre MTQ cubic metre LTR litre TNE tonne (metric ton) KGM kilogram KMT kilometre PCE and C62 are ynonymous for piece

Remark:

QTY+70 is transmitted only with BGM+241:::LAB-ED+231234+9', BGM+242:::FAB-ED+231234+9' and BGM+236:::AV+231234+9'.

Porsche AG

The cumulative quantity received is always transmitted

Example:

QTY+70:100000:PCE'

No	Tag	St	MaxOcc	Level	Name
	SG6	R	9999	1	Ship to level
	SG12	R	9999	2	Scheduled Article Details
	SG16	O	1	3	Cumulative quantity received
36	DTM	O	2	4	Cumulative quantity date(s)

		Standard		Implementation		
Tag	Name	St	Format	St	Format	Usage / Remark
C507	Date/time/period	M		M		
2005	Date or time or period function code qualifier	M	an..3	M	an..3	51 Cumulative quantity start date
2380	Date or time or period text	C	an..35	R	an..35	Start date of a given period
2379	Date or time or period format code	C	an..3	O	an..3	102 CCYYMMDD

Remark:

Example:

DTM+51:20050101:102'

No	Tag	St	MaxOcc	Level	Name
	SG6	R	9999	1	Ship to level
	SG12	R	9999	2	Scheduled Article Details
	SG16	O	1	3	Cumulative quantity ordered JIS
37	QTY	M	1	3	Cumulative quantity ordered JIS

		Standard		Implementation		
Tag	Name	St	Format	St	Format	Usage / Remark
C186	Quantity details	M		M		
6063	Quantity type code qualifier	M	an..3	M	an..3	Code 71 - information is forecast related and not based on shipments / receipts 71 Cumulative quantity ordered Code 71 - cumulative quantity ordered is transmitted for Gross demands JIS
6060	Quantity	M	an..35	R	n..15	Cumulative quantity
6411	Measurement unit code	C	an..8	O	an..8	Code specifying the unit of measurement, use UN/ECE Recommendation 20, Common code. C62 one PCE piece SET set MTR metre MTK square metre MTQ cubic metre LTR litre TNE tonne (metric ton) KGM kilogram KMT kilometre PCE and C62 are ynonymous for piece

Remark:

QTY+71 is transmitted only with BGM+236:::LAB-ML/FAB-ML+231234+9' = Gross demands JIS.

Example:

QTY+71:100000:PCE'

No	Tag	St	MaxOcc	Level	Name
	SG6	R	9999	1	Ship to level
	SG12	R	9999	2	Scheduled Article Details
	SG16	O	1	3	Cumulative quantity ordered JIS
38	DTM	O	2	4	Cumulative quantity date for Gross demand

		Standard		Implementation		
Tag	Name	St	Format	St	Format	Usage / Remark
C507	Date/time/period	M		M		
2005	Date or time or period function code qualifier	M	an..3	M	an..3	51 Cumulative quantity start date
2380	Date or time or period text	C	an..35	R	an..35	Start date of a given period
2379	Date or time or period format code	C	an..3	O	an..3	102 CCYYMMDD

Remark:

Example:

DTM+51:20050101:102'

No	Tag	St	MaxOcc	Level	Name
	SG6	R	9999	1	Ship to level
	SG12	R	9999	2	Scheduled Article Details
	SG16	O	1	3	Cumulative quantity received at the end of the previous period (set back to zero)
39	QTY	M	1	3	Cumulative quantity received at the end of the previous period (set back to zero)

Standard			Implementation			
Tag	Name	St Format	St	Format	Usage / Remark	
C186	Quantity details	M			M	
6063	Quantity type code qualifier	M an..3	M	an..3	72 Cumulative quantity received end of prior year	
6060	Quantity	M an..35	R	n..15	Cumulative quantity	
6411	Measurement unit code	C an..8	O	an..8	Code specifying the unit of measurement, use UN/ECE Recommendation 20, Common code. C62 one PCE piece SET set MTR metre MTK square metre MTQ cubic metre LTR litre TNE tonne (metric ton) KGM kilogram KMT kilometre PCE and C62 are synonymous for piece	

Remark:

The transmission of the Cumulative quantity received at the end of the previous period (set back to zero) is optional.

QTY+72 is transmitted only with BGM+241::LAB-ED+231234+9', BGM+242::FAB-ED+231234+9' and BGM+236::AV+231234+9'.

Example:

QTY+72:50000:PCE'

No	Tag	St	MaxOcc	Level	Name
	SG6	R	9999	1	Ship to level
	SG12	R	9999	2	Scheduled Article Details
	SG16	O	1	3	Cumulative quantity received at the end of the previous period (set back to zero)
40	DTM	O	2	4	Cumulative quantity date until set back to zero

		Standard		Implementation		
Tag	Name	St	Format	St	Format	Usage / Remark
C507	Date/time/period	M		M		
2005	Date or time or period function code qualifier	M	an..3	M	an..3	52 Cumulative quantity end date
2380	Date or time or period text	C	an..35	R	an..35	End date of a given period
2379	Date or time or period format code	C	an..3	O	an..3	102 CCYYMMDD

Remark:

Example:

DTM+52:20050101:102'

No	Tag	St	MaxOcc	Level	Name
	SG6	R	9999	1	Ship to level
	SG12	R	9999	2	Scheduled Article Details
	SG16	O	3	3	Most recent arrival(s) of goods

Depending of the call-off process the following information should be noticed.

JIS Gross demands (LAB-ML and FAB-ML): the most recent arrivals of good are NOT transmitted NLK Delivery pre-advice:

Since a pick-up date is transmitted the following effect may occur. At a transport time of more than one day a difference in the supplier's ERP system may occur between the most recent goods receipt and the first pick-up date if only the last Delivery pre-advice is considered. It might be necessary to set up cumulative consignment number by the supplier.

41 **QTY** M 1 3 **The most recent arrival(s) of goods**

		Standard		Implementation		
Tag	Name	St	Format	St	Format	Usage / Remark
C186	Quantity details	M		M		
6063	Quantity type code qualifier	M	an..3	M	an..3	194 Received and accepted
6060	Quantity	M	an..35	M	n..15	The quantity received and booked by the ship-to party.
6411	Measurement unit code	C	an..8	O	an..8	Code specifying the unit of measurement, use UN/ECE Recommendation 20, Common code. C62 one PCE piece SET set MTR metre MTK square metre MTQ cubic metre LTR litre TNE tonne (metric ton) KGM kilogram KMT kilometre PCE and C62 are ynonymous for piece

Remark:

Example:

QTY+194:10000:PCE'

No	Tag	St	MaxOcc	Level	Name
	SG6	R	9999	1	Ship to level
	SG12	R	9999	2	Scheduled Article Details
	SG16	O	3	3	Most recent arrival(s) of goods

Depending of the call-off process the following information should be noticed.

JIS Gross demands (LAB-ML and FAB-ML): the most recent arrivals of good are NOT transmitted NLK Delivery pre-advice:

Since a pick-up date is transmitted the following effect may occur. At a transport time of more than one day a difference in the supplier's ERP system may occur between the most recent goods receipt and the first pick-up date if only the last Delivery pre-advice is considered. It might be necessary to set up cumulative consignment number by the supplier.

42	DTM	C	2	4	Date/time/period
----	------------	---	---	---	-------------------------

		Standard		Implementation		
Tag	Name	St	Format	St	Format	Usage / Remark
C507	Date/time/period	M		M		
2005	Date or time or period function code qualifier	M	an..3	M	an..3	50 Goods receipt date/time
2380	Date or time or period text	C	an..35	C	n8	
2379	Date or time or period format code	C	an..3	C	an..3	102 CCYYMMDD

Remark:

Example:

DTM+50:20130701:102'

No	Tag	St	MaxOcc	Level	Name
	SG6	R	9999	1	Ship to level
	SG12	R	9999	2	Scheduled Article Details
	SG16	O	3	3	Most recent arrival(s) of goods
Depending of the call-off process the following information should be noticed.					
JIS Gross demands (LAB-ML and FAB-ML): the most recent arrivals of good are NOT transmitted NLK Delivery pre-advice: Since a pick-up date is transmitted the following effect may occur. At a transport time of more than one day a difference in the supplier's ERP system may occur between the most recent goods receipt and the first pick-up date if only the last Delivery pre-advice is considered. It might be necessary to set up cumulative consignment number by the supplier.					
	SG17	O	1	4	Last received delivery note number
43	RFF	M	1	4	Last received delivery note number

		Standard		Implementation		
Tag	Name	St	Format	St	Format	Usage / Remark
C506	Reference	M		M		
1153	Reference code qualifier	M	an..3	M	an..3	AAU Despatch note document identifier
1154	Reference identifier	C	an..70	R	n..8	Unique identifier of the despatch advice

Remark:

For Gross demands JIS (BGM+236:::LAB-ML+231234+9' und BGM+236:::FAB-ML+231234+9') received Delivery notes or quantities are not transmitted.

Example:

RFF+AAU:12345'

No	Tag	St	MaxOcc	Level	Name
	SG6	R	9999	1	Ship to level
	SG12	R	9999	2	Scheduled Article Details
	SG16	O	3	3	Most recent arrival(s) of goods
Depending of the call-off process the following information should be noticed.					
JIS Gross demands (LAB-ML and FAB-ML): the most recent arrivals of good are NOT transmitted NLK Delivery pre-advice: Since a pick-up date is transmitted the following effect may occur. At a transport time of more than one day a difference in the supplier's ERP system may occur between the most recent goods receipt and the first pick-up date if only the last Delivery pre-advice is considered. It might be necessary to set up cumulative consignment number by the supplier.					
	SG17	O	1	4	Last received delivery note number
44	DTM	O	1	5	Delivery note date

		Standard		Implementation		
Tag	Name	St	Format	St	Format	Usage / Remark
C507	Date/time/period	M		M		
2005	Date or time or period function code qualifier	M	an..3	M	an..3	171 Reference date/time
2380	Date or time or period text	C	an..35	R	an..35	Date, on which a document or business signal was issued.
2379	Date or time or period format code	C	an..3	O	an..3	102 CCYYMMDD

Remark:

Example:

DTM+171:20120831:102'

No	Tag	St	MaxOcc	Level	Name
	SG6	R	9999	1	Ship to level
	SG12	R	9999	2	Scheduled Article Details
	SG18	D	999	3	Scheduling data
45	SCC	M	1	3	Scheduling data

Standard			Implementation			
Tag	Name	St	Format	St	Format	Usage / Remark
4017	Delivery plan commitment level code	M	an..3	M	an..3	<p>4 Planning/forecast 10 Immediate 24 Reference to commercial agreement between partners</p> <p>Code indicating the level of commitment of a delivery instruction. Code 10 - immediate requirements - to be used with SG19.QTY+84. Immediate requirements are additional, they have not been transmitted as demand in any previous delivery instruction.</p> <p>Code 24 does not transmit any distinction related to the status of an order as binding or non-binding. The contract between the supplier and VOLKSWAGEN procurement makes that determination. For the purposes of mapping the raw data in cases where an ERP system necessitates a binding/non-binding decision, the supplier's ERP system should interpret daily quantities as firm orders and periodic quantities as forecasts. In the end, the supplier is responsible for maintaining an understanding of the actual "legal" contracts and how those are represented by the data received in their ERP system.</p>

Remark:

The following combinations are possible.

BGM+241:::LAB-ED+231234+9' = Delivery instruction DTM+2 = Delivery date SCC+24 and SCC+10 if applicable

BGM+242:::FAB-ED+231234+9' = Daily call-off DTM+2 = Delivery date SCC+24

BGM+236:::LAB-ML+231234+9' = Gross demand for JIS DTM+2 = Delivery date SCC+4

BGM+236:::FAB-ML+231234+9' = Gross demand for JIS as Daily call-off DTM+2 = Delivery date SCC+4

BGM+236:::AV+231234+9' = NLK Delivery pre-advice DTM+4 = Pick-up date SCC+4

BGM+241:::LAB-ED+231234+9' = Delivery instruction DTM+64 = earliest delivery date and DTM+63 = latest delivery date SCC+24 and SCC +10 if applicable

BGM+236:::LAB-ML+231234+9' = Gross demand for JIS DTM+64 = earliest delivery date and DTM+63 = latest delivery date SCC+4

BGM+236:::AV+231234+9' = NLK Delivery pre-advice DTM+64 = earliest pick-up date and DTM+63 latest pick-up date SCC+4

Information providing dates/times/periods of deliveries, quantities, and additional references valid for the item. Delivery Date and Delivery Period shall be used mutually exclusive.

Porsche AG

BGM+241:::PAG-LAB-S+231234+9' = Delivery call-off DTM+2 as well DTM+64= earliest delivery date and DTM+63 = latest
Delivery date SCC+24 oder 4 (Preview for daily delivery call-off parts) or 10 possible

BGM+241:::PAG-LAB-ET+231234+9' = Delivery call-off DTM+2 as well DTM+64 = earliest delivery date and DTM+63 = latest
Delivery date SCC+24 or 10 possible

BGM+242:::PAG-FAB+231234+9' = Daily delivery date DTM+2 =
Delivery date SCC+24 or 10 possible.

Example:

SCC+24'

No	Tag	St	MaxOcc	Level	Name
	SG6	R	9999	1	Ship to level
	SG12	R	9999	2	Scheduled Article Details
	SG18	D	999	3	Scheduling data
	SG19	R	999	4	Scheduled quantity
46	QTY	M	1	4	Quantity

Standard			Implementation			
Tag	Name	St	Format	St	Format	Usage / Remark
C186	Quantity details	M		M		
6063	Quantity type code qualifier	M	an..3	M	an..3	113 Quantity to be delivered 84 Urgent delivery quantity 84 - immediate requirement; the DTM segment should contain the date of the delivery instruction.
6060	Quantity	M	an..35	M	n..15	Quantity scheduled by the buyer (material release issuer) to be delivered at a specified point in time or within a period.
6411	Measurement unit code	C	an..8	O	an..8	Code specifying the unit of measurement, use UN/ECE Recommendation 20, Common code. C62 one PCE piece SET set MTR metre MTK square metre MTQ cubic metre LTR litre TNE tonne (metric ton) KGM kilogram KMT kilometre PCE und C62 sind Synonym für Stück. PCE and C62 are ynonymous for piece

Remark:

If no demands within the planning horizon are available in the pre-system QTY+113 is sent with quantity 0 (zero).

Example:

QTY+113:4500:PCE'

No	Tag	St	MaxOcc	Level	Name
	SG6	R	9999	1	Ship to level
	SG12	R	9999	2	Scheduled Article Details
	SG18	D	999	3	Scheduling data
	SG19	R	999	4	Scheduled quantity
47	DTM	R	2	5	Scheduled date(s)

Standard			Implementation			
Tag	Name	St	Format	St	Format	Usage / Remark
C507	Date/time/period	M		M		
2005	Date or time or period function code qualifier	M	an..3	R	an..3	2 Delivery date/time, requested 10 Shipment date/time, requested 63 Delivery date time, last 64 Delivery date/time, earliest
2380	Date or time or period text	C	an..35	R	an..35	Date / period
2379	Date or time or period format code	C	an..3	O	an..3	102 CCYMMDD 203 CCYMMDDHHMM

Remark:

For fixed dates/times the qualifiers 2 and 10 are used (and must comply with the qualifier of the DTM segment named "Type of instruction" in the header of this message guideline). For periods (e.g. for forecast data related to a week or month) the qualifiers 63 and 64 are used, no matter whether they relate to pick-up process or to delivery at destination.

Example:

DTM+2:20120906:102'

No	Tag	St	MaxOcc	Level	Name
48	UNT	M	1	0	Message trailer

		Standard		Implementation		
Tag	Name	St	Format	St	Format	Usage / Remark
0074	Number of segments in the message	M	n..6	M	n..6	
0062	Message reference number	M	an..14	M	an..14	Repetition of the value in UNH, DE 0062

Remark:

Example:

UNT+49+123456'

No	Tag	St	MaxOcc	Level	Name
49	UNZ	M	1	0	Interchange trailer

Standard				Implementation		
Tag	Name	St	Format	St	Format	Usage / Remark
0036	Interchange control count	M	n..6	M	n..6	Number of messages in the interchange.
0020	Interchange control reference	M	an..14	M	an..14	Repetition of the value transmitted in UNB data element 0020.

Remark:

Example:

UNZ+1+144659'

5 Message Pattern

	No	St	MaxRep	Segments
	UNA	1	O	1 UNA:+.? '
	UNB	2	M	1 UNB+UNOC:3+OD012345:59:LAFES+987654321:1:X+071205:144 6+144659+++++1'
	UNH	3	M	1 UNH+123456+DELFOR:D:04A:UN:GAVB11'
	BGM	4	M	1 BGM+241:::LAB-ED+1446591+9'
	DTM	5	M	1 DTM+137:20140523:102'
	DTM	6	R	1 DTM+2'
	FTX	7	O	5 FTX+AAI+++Legal Notice'
SG2			R	1
	NAD	8	M	1 NAD+BY+88012::91++Volkswagen AG:::X++Wolfsburg++38444+D E'
SG3			O	1
	RFF	9	M	1 RFF+ANK:995231145'
SG2			R	1
	NAD	10	M	1 NAD+SE+0000128317::92++Auto Parts GmbH+Vorm Anger 3+Aug sburg++86150+DE'
SG3			O	1
	RFF	11	M	1 RFF+ANK:963852258'
SG2			O	1
	NAD	12	M	1 NAD+SF+0000128317::92++Auto Parts GmbH:X::X+Am Anger 3:X +Augsburg++86150+DE'
SG3			O	1
	RFF	13	M	1 RFF+ANK:963852258'
SG6			R	9999
	GEI	14	M	1 GEI+3+37'
SG7			R	1
	NAD	15	M	1 NAD+ST+11::92++Volkswagen AG Wolfsburg+Zufahrt ueber A39+ Wolfsburg++38436+DE'
	LOC	16	R	1 LOC+11+1AB07::92:X'
	LOC	17	R	1 LOC+7+CKD::92:Halle 103; Zufahrt ueber A39; 38436 Wolfsburg; D eutschland'
	LOC	18	O	1 LOC+13+X:::X'
	FTX	19	O	5 FTX+AAI+++Free text+DE'
SG8			O	1
	RFF	20	M	1 RFF+ANK:321549214'
SG12			R	9999
	LIN	21	M	1 LIN+1++ 123 GHG 1357:IN'
	PIA	22	O	1 PIA+1+HZOK3:SA'
	IMD	23	O	10 IMD+F++11::272:Außenspiegel::DE'
	LOC	24	O	1 LOC+159+SDA 1235::92'
	FTX	25	O	5 FTX+LIN+++Sonderlackierung+DE'
	FTX	26	O	5 FTX+AAI+++Werkurlaub vom 30.06.2013 bis 21.07.2013+DE'
SG13			R	1
	RFF	27	M	1 RFF+ON:0000006'
SG13			R	1
	RFF	28	M	1 RFF+AAN:000000002'
	DTM	29	O	1 DTM+171:20040528:102'
SG13			R	1
	RFF	30	M	1 RFF+AIF:000000001'
	DTM	31	O	1 DTM+171:20040528:102'
SG14			O	1
	CTA	32	M	1 CTA+SC+NA4FA:Franz Meier'
	COM	33	O	5 COM+?+49-5361-933000:TE'
SG16			O	1

5 Message Pattern

	No	St	MaxRep	Segments
QTY	34	M	1	QTY+83:5000:PCE'
SG16		O	1	
QTY	35	M	1	QTY+70:100000:PCE'
DTM	36	O	2	DTM+51:20050101:102'
SG16		O	1	
QTY	37	M	1	QTY+71:100000:PCE'
DTM	38	O	2	DTM+51:20050101:102'
SG16		O	1	
QTY	39	M	1	QTY+72:50000:PCE'
DTM	40	O	2	DTM+52:20050101:102'
SG16		O	3	
QTY	41	M	1	QTY+194:10000:PCE'
DTM	42	C	2	DTM+50:20130701:102'
SG17		O	1	
RFF	43	M	1	RFF+AAU:12345'
DTM	44	O	1	DTM+171:20120831:102'
SG18		D	999	
SCC	45	M	1	SCC+24'
SG19		R	999	
QTY	46	M	1	QTY+113:4500:PCE'
DTM	47	R	2	DTM+2:20120906:102'
UNT	48	M	1	UNT+49+123456'
UNZ	49	M	1	UNZ+1+144659'